

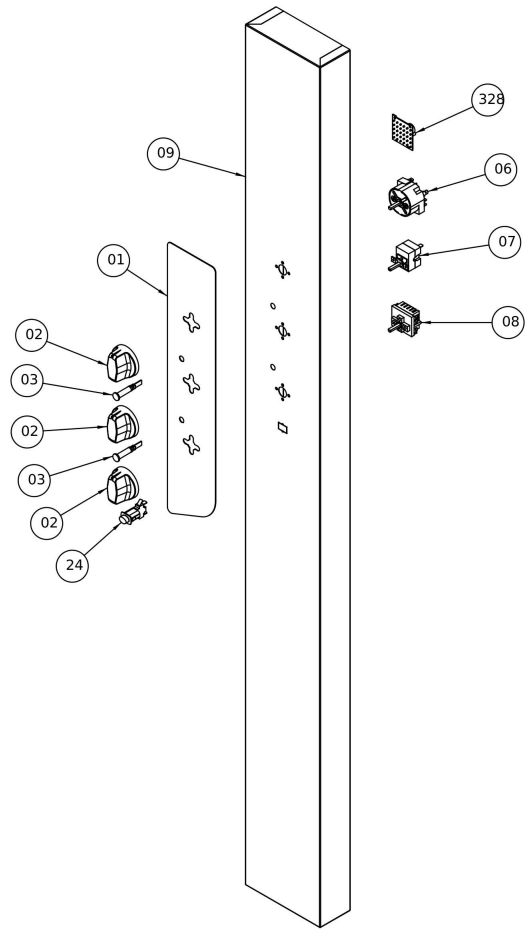


Spare parts catalogue
Squero Manual

Index

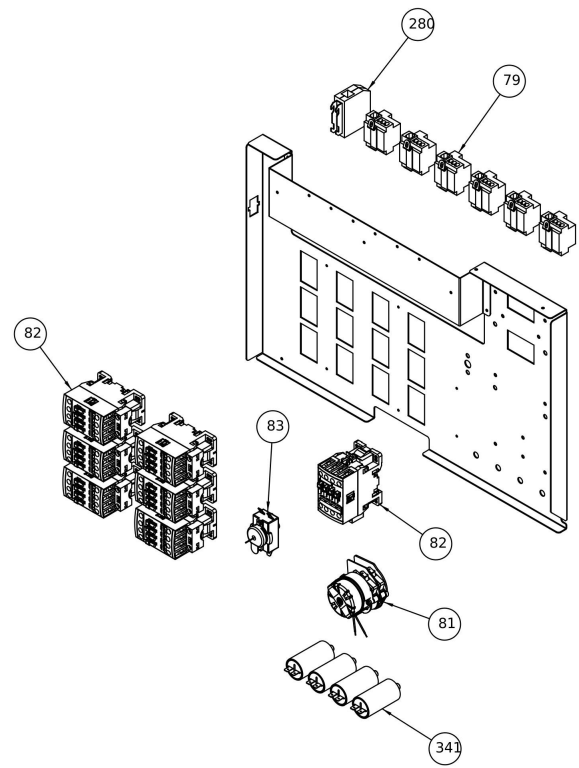
DASHBOARD PANEL	4
Electrical box	6
Door	8
Oven body	10
Cooking chamber	12
DASHBOARD PANEL	14
Electrical box	16
Door	18
Oven body	20
Cooking chamber	22
Frontal panel M0 - MV	24
Frontal panel MA	26
Frontal panel MZ	28
Electrical box	30
Oven body	32
Cooking chamber	34
Internal accessories	36
Door	38
All glass door	40
Frontal panel M0 - MV	42
Frontal panel MZ	44
Frontal panel MA	46
Electrical box	48
Oven body	50
Cooking chamber	52
Internal accessories	54
Door	56
All glass door	58
Frontal panel M0 - MV	60
Frontal panel MA	62

Frontal panel MZ	64
Electrical box	66
Oven body	68
Cooking chamber	70
Internal accessories	72
Door	74
All glass door	76
DASHBOARD PANEL	78
Door	80
Oven body	82
Cooking chamber	84
Internal accessories	86

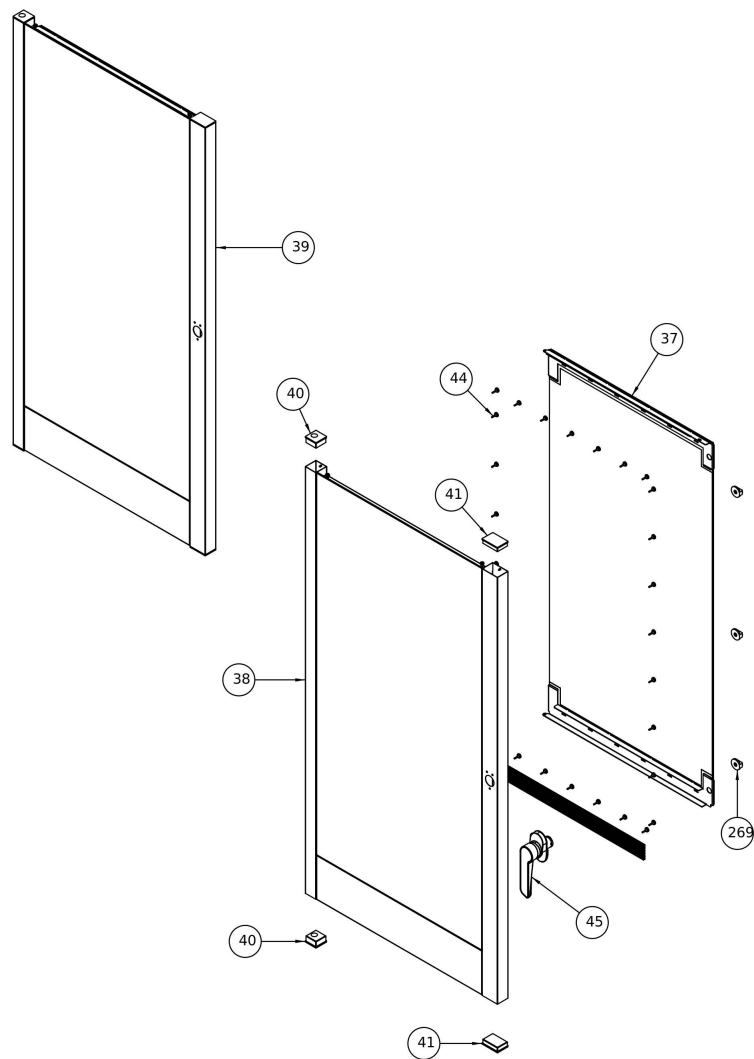


DASHBOARD PANEL

#	Code	Description	Specification	UM	Qty
01	TBC-85FRO00012*	FRONTAL STICKER	To order share oven s/...	pz	1
02	TBC-MAN	KNOB	To order share s/n	pz	3
03	020LSP0004	ORANGE LIGHT		pz	2
06	TBC-TMR	TIMER	To order share s/n	pz	1
07	020TER0001	CHAMBER THERMOSTAT		pz	1
08	020RDE0001	HUMIDIFICATION TIMED SWITCH		pz	1
09	85CRU00094	STEEL CONTROL PANEL		pz	1
24	020DEV0001	2 SPEED ELECTRIC DIVERTER		pz	1
328	020SCH0016	BUZZER ELECTRONIC BOARD		pz	1

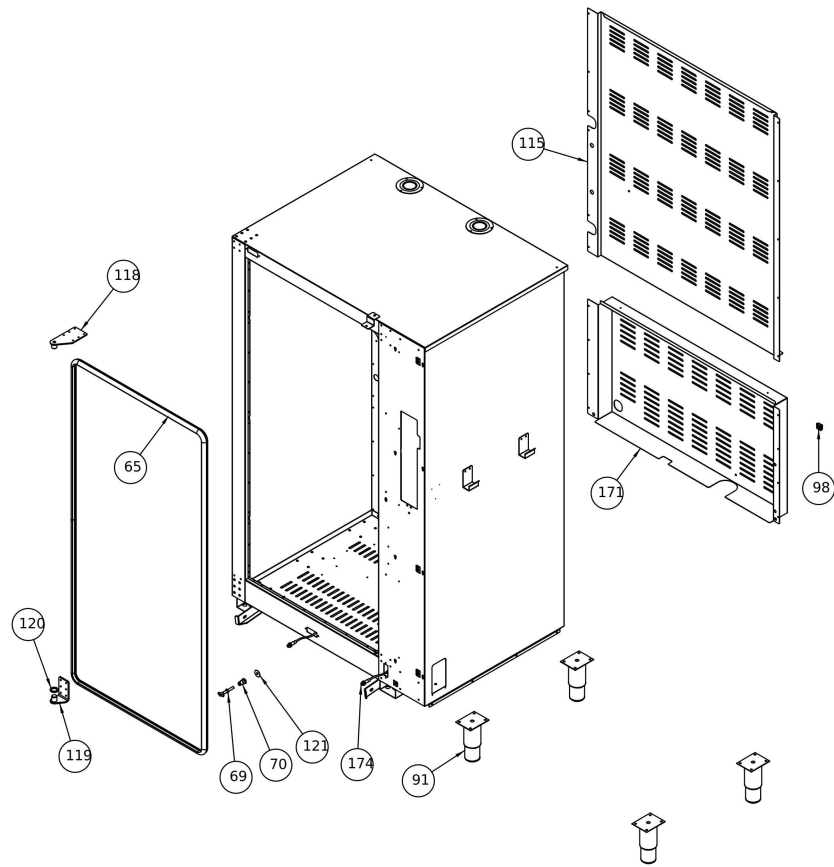


#	Code	Description	Specification	UM	Qty
79	TBC-MOR	POWER SUPPLY CONNECTOR	To order share oven s/...	pz	6
81	020PRC0001	MOTOR DIRECTION TIMED SWITCH		pz	1
82	020TEL0003	BRAKER 4POLES 230V 25A (6500W HEATERS)		pz	7
83	020TER0007	SAFETY THERMAL SWITCH		pz	1
280	TBC-TER	EARTH CONNECTOR	To order share oven s/...	pz	1
341	TBC-COND	CAPACITOR	To order share s/n	pz	4



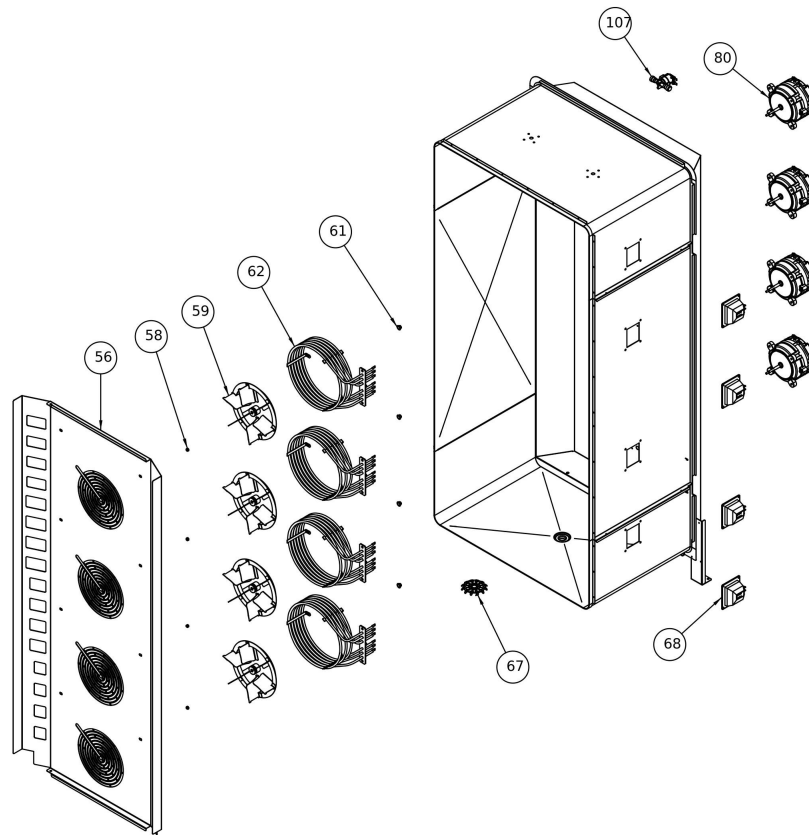
Door

#	Code	Description	Specification	UM	Qty
37	AVI20T	COMPLETE INTERNAL GLASS DOOR		pz	1
38	TBC-85AVE00047*	COMPLETE EXTERNAL GLASS FOR SQUERO 16-20	To order share oven s/...	pz	1
39	TBC-85PTA00093*	COMPLETE DOOR FOR FOR SQUERO 16-20	To order share oven s/...	pz	1
40	040TAP00018	PLASTIC COVER OVEN DOOR		pz	2
41	040TAP00002	BLACK CAP		pz	2
44	040TAP00015	RUBBER SPACER FOR INTERNAL GLASS		pz	38
45	TBC-85MNG00001*	DOOR HANDLE	To order share oven s/...	pz	1
269	040MAN00010	INTERNAL GLASS BLOCKING KNOB		pz	3



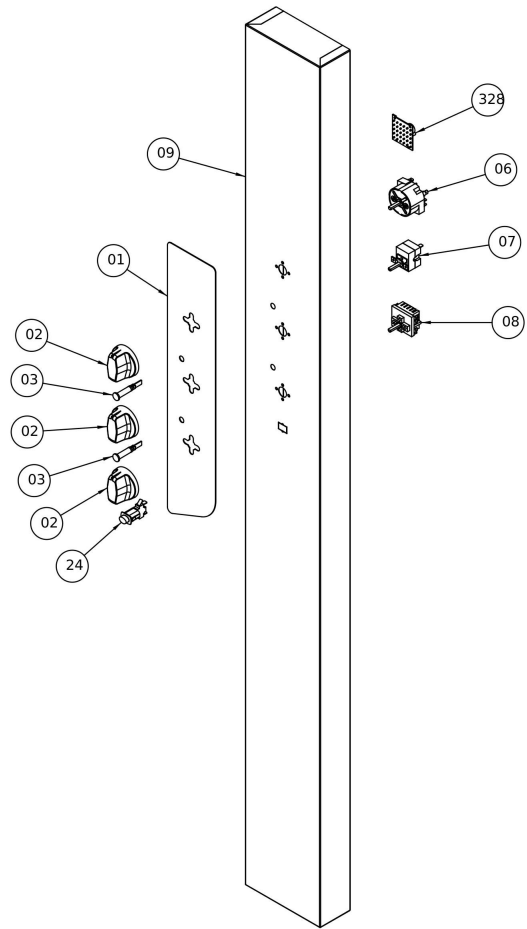
Oven body

#	Code	Description	Specification	UM	Qty
65	040GUA00002	DOOR GASKET COMBISTEAMER		cm	440
69	60NASAI001	HANDLE STUD L70MM		pz	1
70	60PERAI003	HANDLE PIVOT RCB-RCG		pz	1
91	50PIEAI005	FOOT FOR 16-20 TRAYS OVENS		pz	4
98	020MOR0001	TERMINAL BLOCK BRIDGE		pz	1
115	10SCNZ10NSU050	OVEN BACKSIDE		pz	1
118	85CER00013	LOWER DOOR SUPPORT FOR OVEN		pz	1
119	85CER00014	LOWE DOOR SUPPORT FOR OVEN		pz	1
120	10PIAA20NAA044	PLATE		pz	1
121	10PIAA10SAA013	DOOR LOCK PLATE		pz	1
171	10SCNZ10NIN051	OVEN BACKSIDE		pz	1
174	20SNS00006	DOOR MAGNETIC SENSOR		pz	2



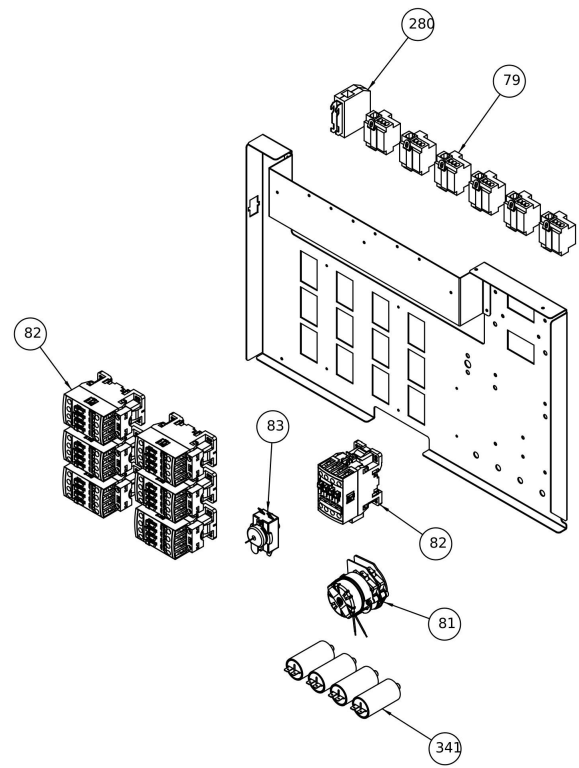
Cooking chamber

#	Code	Description	Specification	UM	Qty
56	10DEF00025	AIR DEFLECTOR		pz	1
58	70DAD00019	NUT PN M8 SS		pz	4
59	60VENAI013	FAN 200X61 AIRTEK 2.0		pz	4
61	040BOC00006	CRANKSHAFT BUSH		pz	4
62	020RES10524023635	HEATING ELEMENT 10,5 KW		pz	4
67	85PIA00007	MUFFLE DRAIN COVER 20/40T		pz	1
68	020LAM0004	HALOGEN LAMP HOLDER		pz	4
80	TBC-MOT	MOTOR	To order share s/n	pz	4
107	020ELE0006	SINGLE SOLENOID VALVE FOR 20 TRAYS OVEN		pz	4

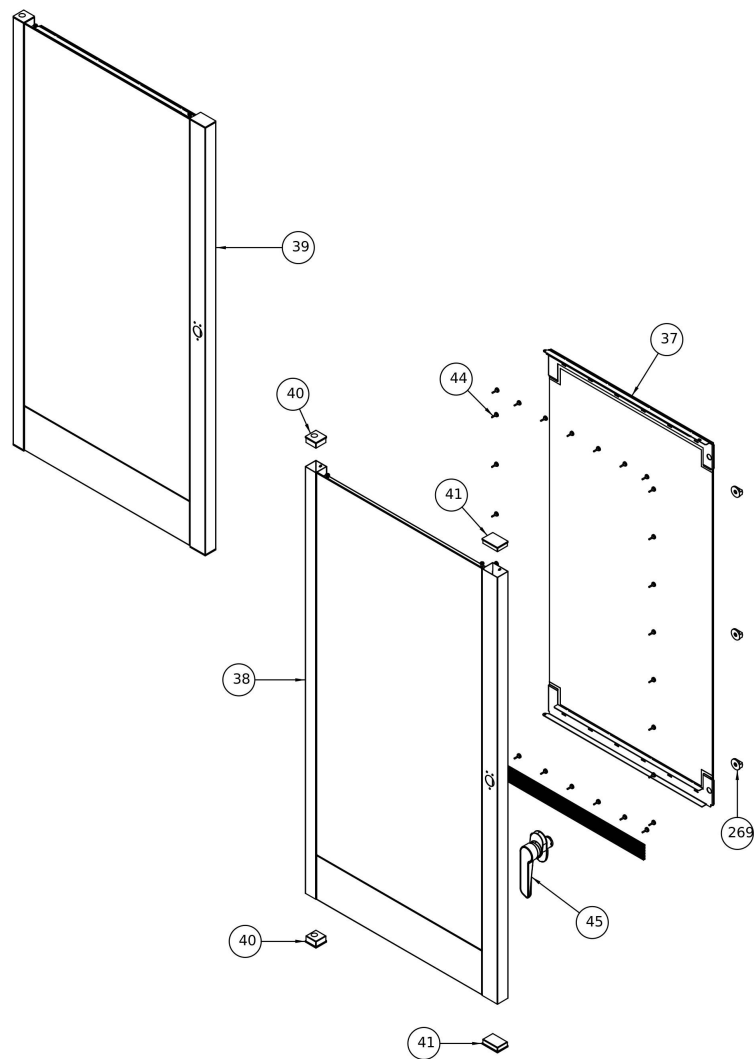


DASHBOARD PANEL

#	Code	Description	Specification	UM	Qty
01	TBC-85FRO00012*	FRONTAL STICKER	To order share oven s/...	pz	1
02	TBC-MAN	KNOB	To order share s/n	pz	3
03	020LSP0004	ORANGE LIGHT		pz	2
06	TBC-TMR	TIMER	To order share s/n	pz	1
07	020TER0001	CHAMBER THERMOSTAT		pz	1
08	020RDE0001	HUMIDIFICATION TIMED SWITCH		pz	1
09	85CRU00094	STEEL CONTROL PANEL		pz	1
24	020DEV0001	2 SPEED ELECTRIC DIVERTER		pz	1
328	020SCH0016	BUZZER ELECTRONIC BOARD		pz	1

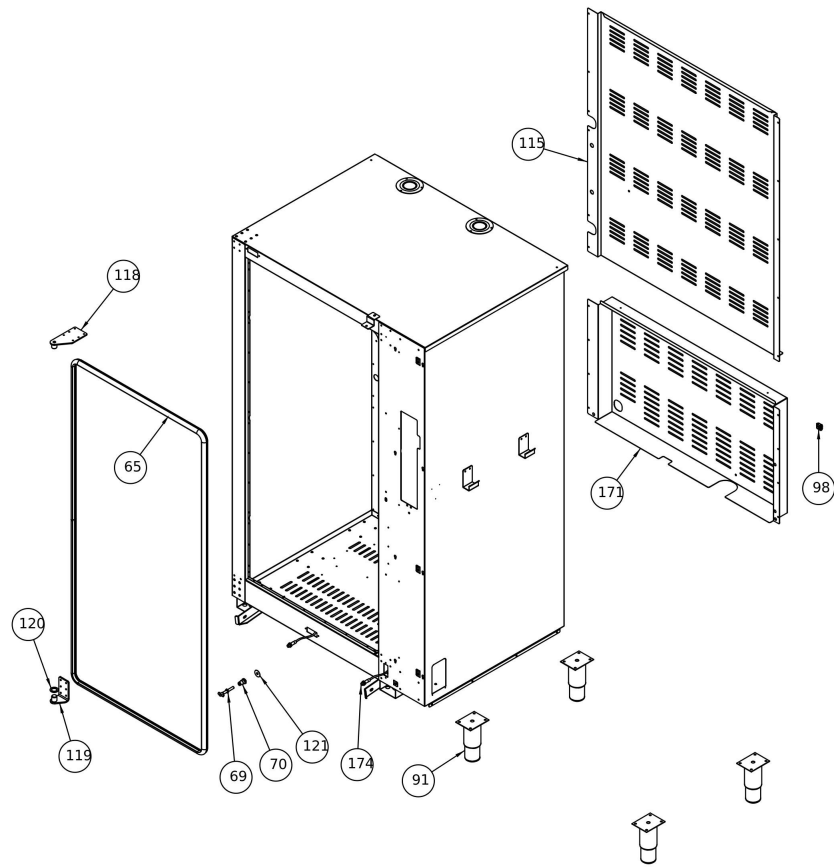


#	Code	Description	Specification	UM	Qty
79	TBC-MOR	POWER SUPPLY CONNECTOR	To order share oven s/...	pz	6
81	020PRC0001	MOTOR DIRECTION TIMED SWITCH		pz	1
82	020TEL0003	BRAKER 4POLES 230V 25A (6500W HEATERS)		pz	7
83	020TER0007	SAFETY THERMAL SWITCH		pz	1
280	TBC-TER	EARTH CONNECTOR	To order share oven s/...	pz	1
341	TBC-COND	CAPACITOR	To order share s/n	pz	4



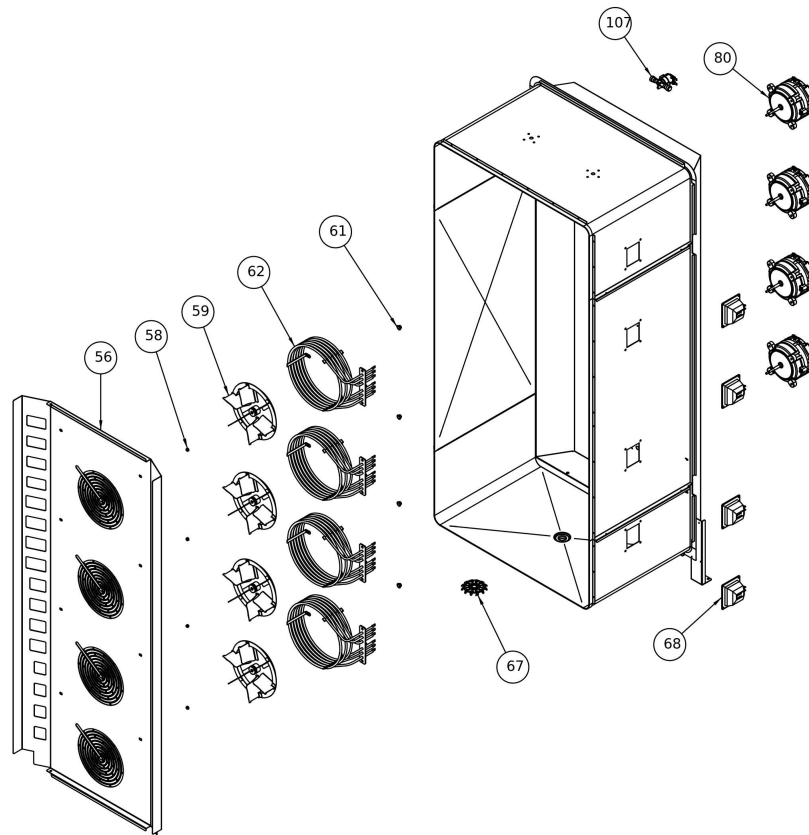
Door

#	Code	Description	Specification	UM	Qty
37	AVI20T	COMPLETE INTERNAL GLASS DOOR		pz	1
38	TBC-85AVE00047*	COMPLETE EXTERNAL GLASS FOR SQUERO 16-20	To order share oven s/...	pz	1
39	TBC-85PTA00093*	COMPLETE DOOR FOR FOR SQUERO 16-20	To order share oven s/...	pz	1
40	040TAP00018	PLASTIC COVER OVEN DOOR		pz	2
41	040TAP00002	BLACK CAP		pz	2
44	040TAP00015	RUBBER SPACER FOR INTERNAL GLASS		pz	38
45	TBC-85MNG00001*	DOOR HANDLE	To order share oven s/...	pz	1
269	040MAN00010	INTERNAL GLASS BLOCKING KNOB		pz	3



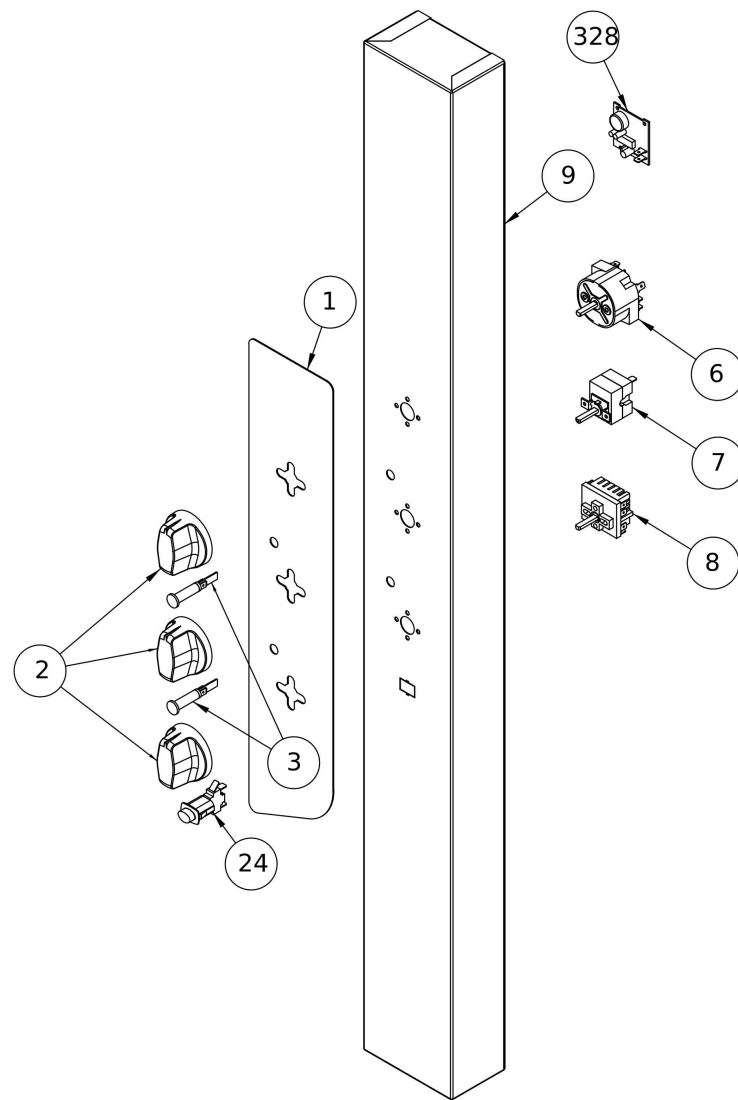
Oven body

#	Code	Description	Specification	UM	Qty
65	040GUA00002	DOOR GASKET COMBISTEAMER		cm	440
69	60NASAI001	HANDLE STUD L70MM		pz	1
70	60PERAI003	HANDLE PIVOT RCB-RCG		pz	1
91	50PIEAI005	FOOT FOR 16-20 TRAYS OVENS		pz	4
98	020MOR0001	TERMINAL BLOCK BRIDGE		pz	1
115	10SCNZ10NSU050	OVEN BACKSIDE		pz	1
118	85CER00013	LOWER DOOR SUPPORT FOR OVEN		pz	1
119	85CER00014	LOWE DOOR SUPPORT FOR OVEN		pz	1
120	10PIAA20NAA044	PLATE		pz	1
121	10PIAA10SAA013	DOOR LOCK PLATE		pz	1
171	10SCNZ10NIN051	OVEN BACKSIDE		pz	1
174	20SNS00006	DOOR MAGNETIC SENSOR		pz	2



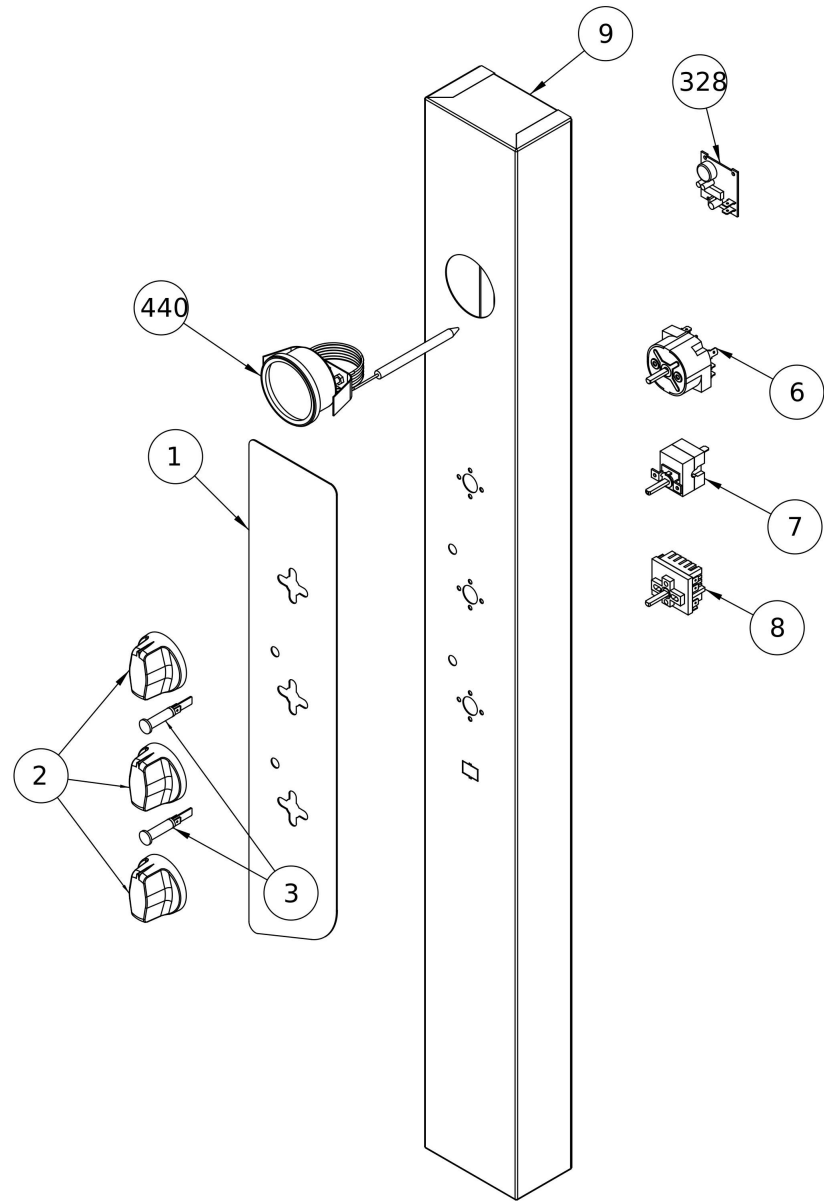
Cooking chamber

#	Code	Description	Specification	UM	Qty
56	10DEF00025	AIR DEFLECTOR		pz	1
58	70DAD00019	NUT PN M8 SS		pz	4
59	60VENAI013	FAN 200X61 AIRTEK 2.0		pz	4
61	040BOC00006	CRANKSHAFT BUSH		pz	4
62	020RES67230232617	HEATING ELEMENT 6,75KW		pz	4
67	85PIA00007	MUFFLE DRAIN COVER 20/40T		pz	1
68	020LAM0004	HALOGEN LAMP HOLDER		pz	4
80	TBC-MOT	MOTOR	To order share s/n	pz	4
107	020ELE0006	SINGLE SOLENOID VALVE FOR 20 TRAYS OVEN		pz	4



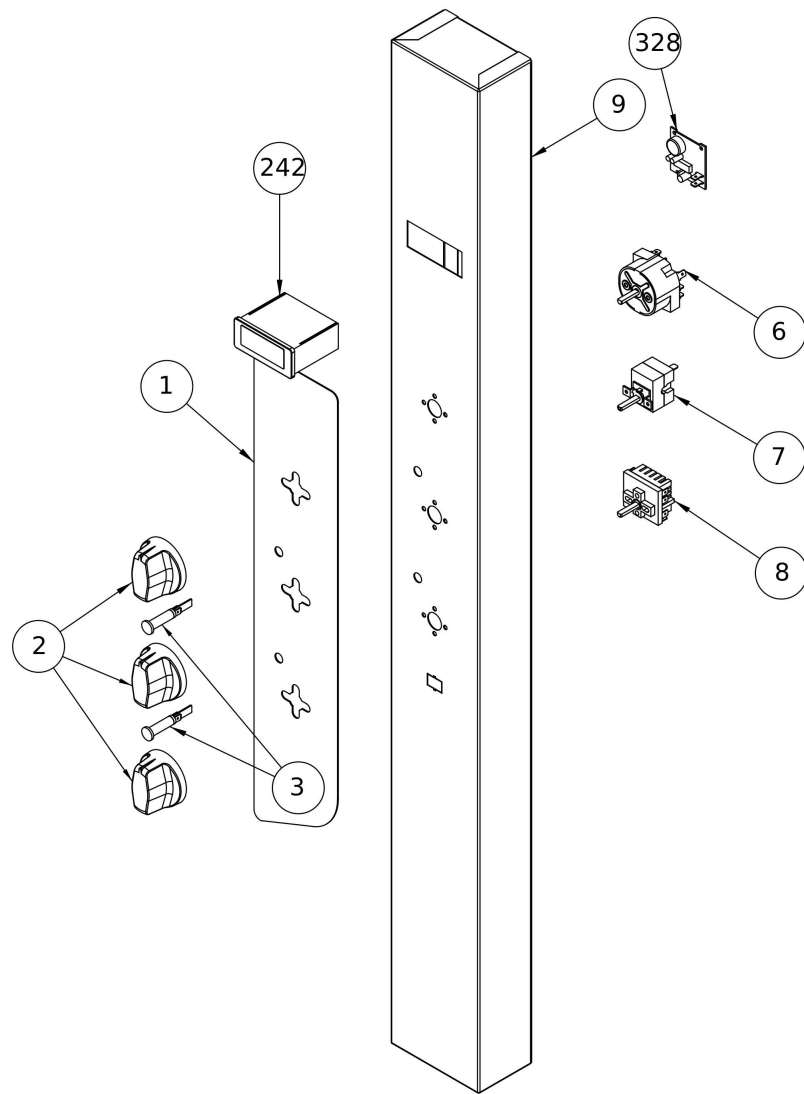
Frontal panel M0 - MV

#	Code	Description	Specification	UM	Qty
1	TBC-FRO*	FRONTAL STICKER	To order share s/n	pz	1
2	TBC-MAN	KNOB	To order share s/n	pz	3
3	020LSP0004	ORANGE LIGHT		pz	2
6	TBC-TMR	TIMER	To order share s/n	pz	1
7	020TER0001	CHAMBER THERMOSTAT		pz	1
8	020RDE0001	HUMIDIFICATION TIMED SWITCH		pz	1
9	TBC-CRU	OVEN FRONTAL PANEL	To order share s/n	pz	1
24	020DEV0001	2 SPEED ELECTRIC DIVERTER		pz	1
328	020SCH0016	BUZZER ELECTRONIC BOARD		pz	1



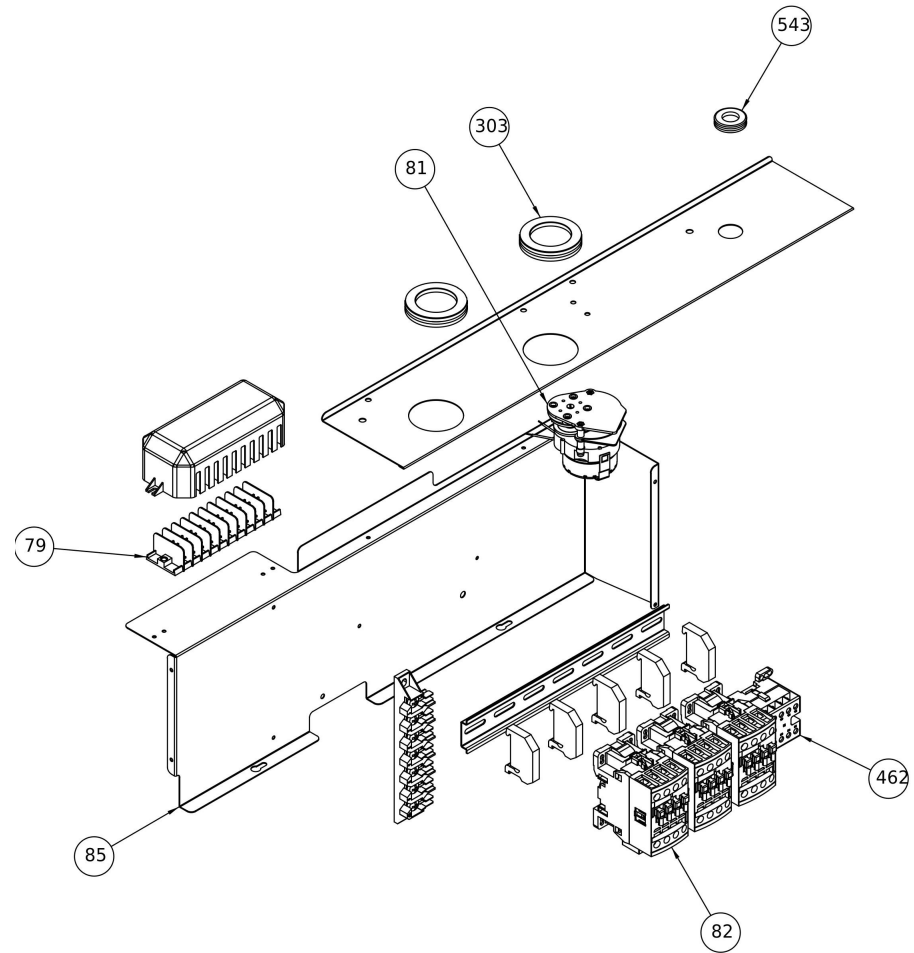
Frontal panel MA

#	Code	Description	Specification	UM	Qty
1	TBC-FRO*	FRONTAL STICKER	To order share s/n	pz	1
2	TBC-MAN	KNOB	To order share s/n	pz	1
3	020LSP0004	ORANGE LIGHT		pz	1
6	TBC-TMR	TIMER	To order share s/n	pz	1
7	020TER0001	CHAMBER THERMOSTAT		pz	1
8	020RDE0001	HUMIDIFICATION TIMED SWITCH		pz	1
9	TBC-CRU	OVEN FRONTAL PANEL	To order share s/n	pz	1
328	020SCH0016	BUZZER ELECTRONIC BOARD		pz	1
440	020TER0010	MECHANICAL THERMO GAUGE	PZ	pz	1

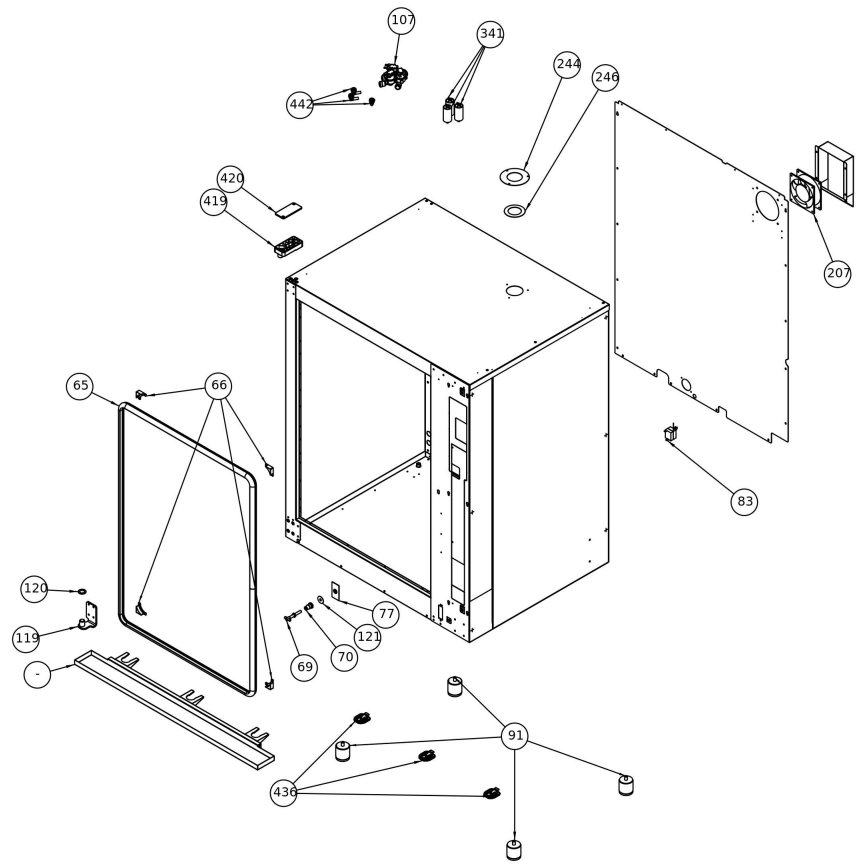


Frontal panel MZ

#	Code	Description	Specification	UM	Qty
1	TBC-FRO*	FRONTAL STICKER	To order share s/n	pz	1
2	TBC-MAN	KNOB	To order share s/n	pz	3
3	020LSP0004	ORANGE LIGHT		pz	2
6	TBC-TMR	TIMER	To order share s/n	pz	1
7	020TER0001	CHAMBER THERMOSTAT		pz	1
8	020RDE0001	HUMIDIFICATION TIMED SWITCH		pz	1
9	TBC-CRU	OVEN FRONTAL PANEL	To order share s/n	pz	1
242	20SCH00051	TEMPERATURE DISPLAY		pz	1
328	020SCH0016	BUZZER ELECTRONIC BOARD		pz	1

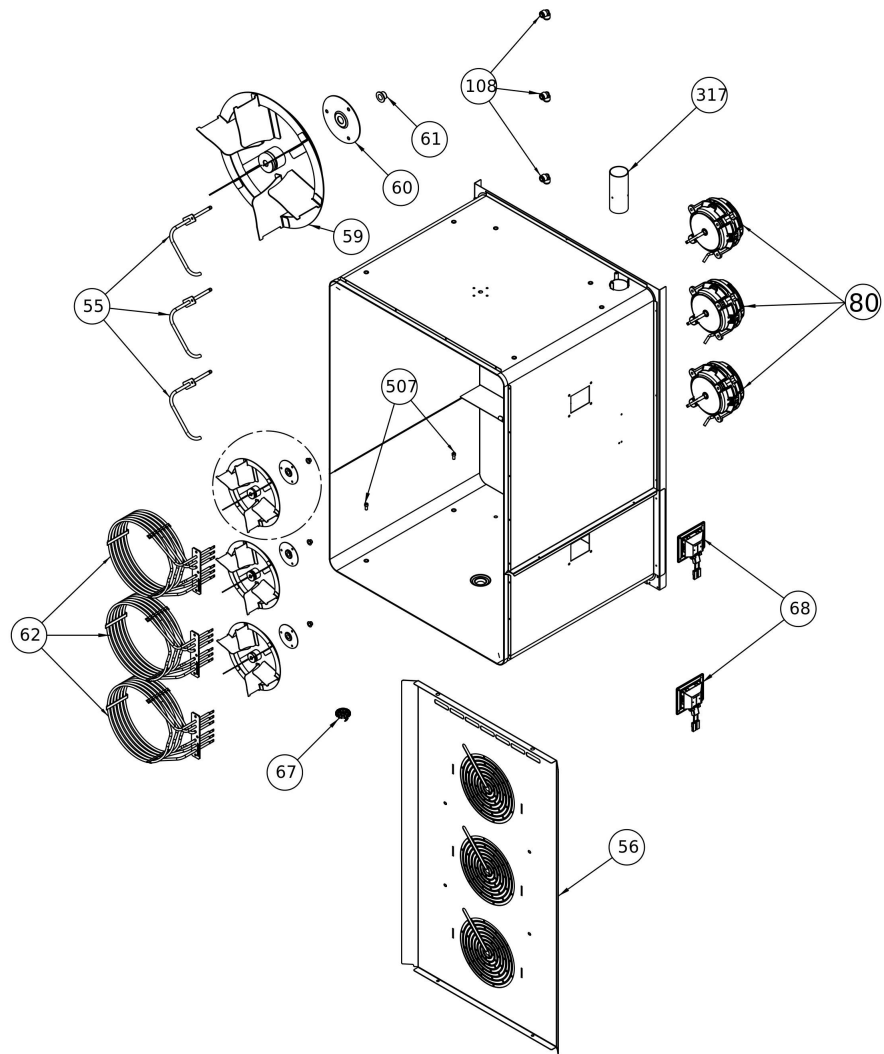


#	Code	Description	Specification	UM	Qty
79	020MOR0002	TERMINAL BLOCK 7(X3) POLES 40A		pz	1
81	020PRC0001	MOTOR DIRECTION TIMED SWITCH		pz	1
82	020TEL0003	BRAKER 4POLES 230V 25A (6500W HEATERS)		pz	3
85	10SCB00035	WIRING BASE SQ MECC.		pz	1
303	040PPC00007	WIRING PLASTIC CONNECTOR		pz	2
462	020TEL0004	BRAKER		pz	1
543	040PPC00010	WALL PASSTHROUGH MEMBRANE DIA 21		pz	1
569	70VIT054	SCREW ST 4,2X19 RH PH ZN BLUNT TIP		pz	8



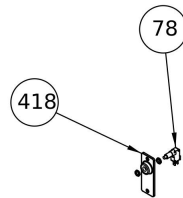
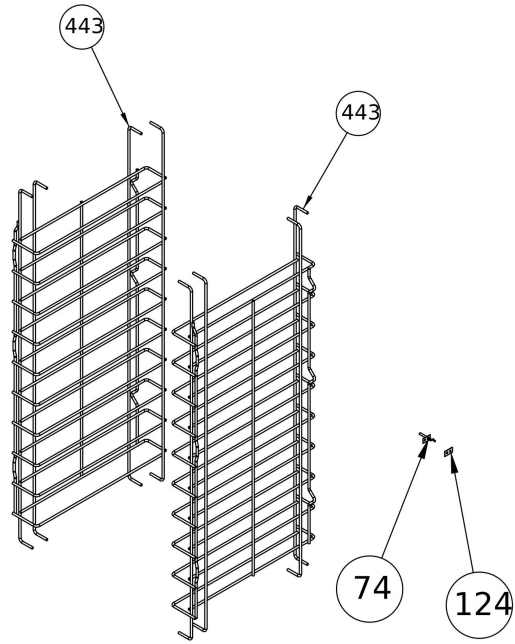
Oven body

#	Code	Description	Specification	UM	Qty
46	85VAS00001	CONDENSATE TRAY		pz	1
65	040GUA00002	DOOR GASKET COMBISTEAMER		cm	330
66	040ANG00002	DOOR GASKET ANGLE SUPPORT		pz	4
69	60NASAI001	HANDLE STUD L70MM		pz	1
70	60PERAI003	HANDLE PIVOT RCB-RCG		pz	1
77	85PIA00002	PLATE		pz	1
83	020TER0007	SAFETY THERMAL SWITCH		pz	1
91	50PIEAI002	OVEN FEET H50		pz	4
107	020ELE0003	THREE-WAY SOLENOID VALVE REDUCER BROWN		pz	1
119	85CER00008	BOTTOM HINGE		pz	1
120	10PIAA20NAA010	DOOR SPACER RING		pz	1
121	10PIAA10SAA013	DOOR LOCK PLATE		pz	1
207	020MOT0009	AXIAL MOTOR		pz	1
244	10PIAA10SAA037	PLATE		pz	1
246	040GUA00009	CHIMNEY GASKET		pz	1
341	TBC-COND	CAPACITOR	To order share s/n	pz	3
419	40CER00001	TOP HINGE		pz	1
420	40CER00002	TOP HINGE COVER		pz	1
436	40DIS00011	CONDENSATE TRAY OVEN SIDE SUPPORT		pz	3
442	40RAC00029	90° JOINT W/STRAIGHT PIPE 5/16MM		pz	3

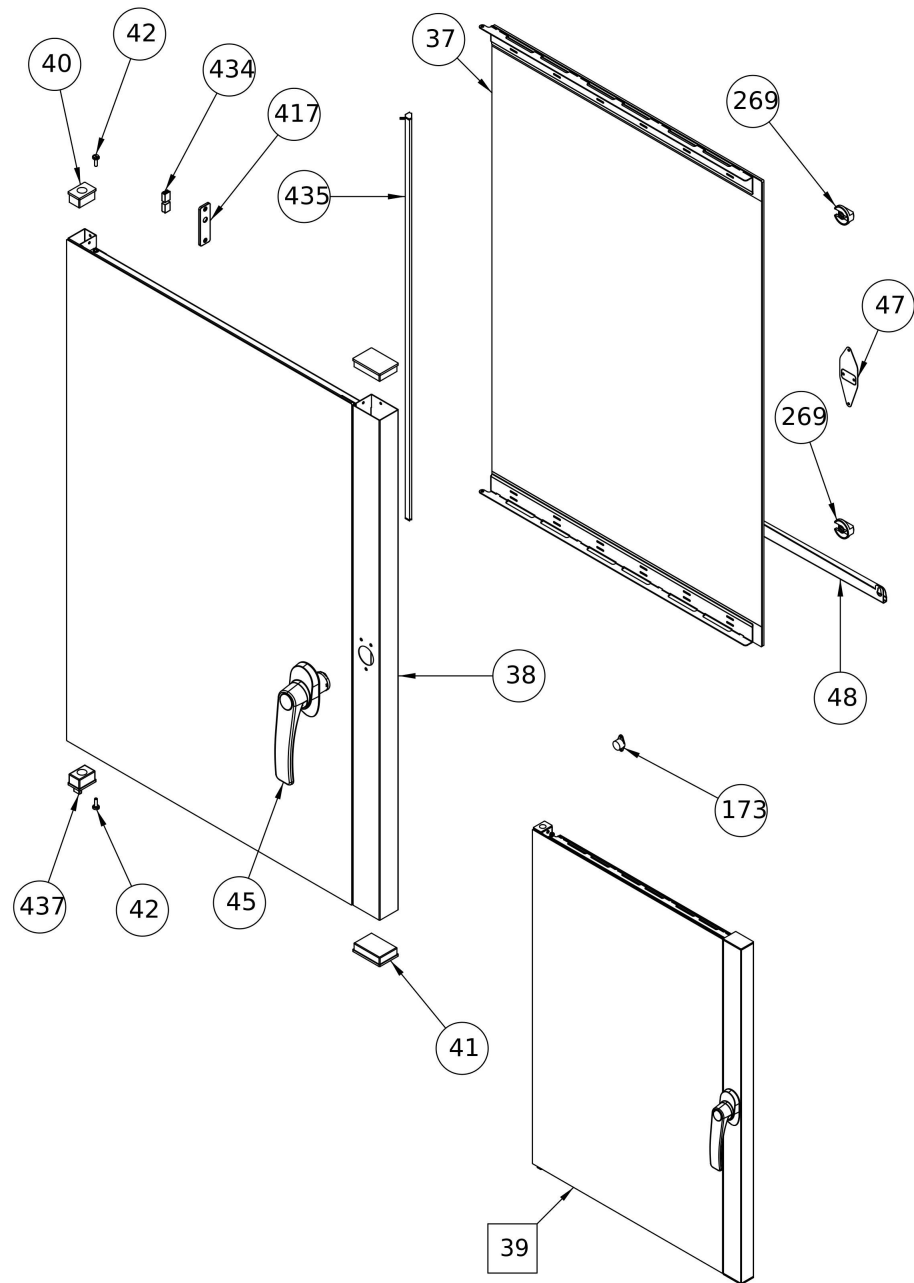


Cooking chamber

#	Code	Description	Specification	UM	Qty
55	85TBA00013	HUMIDIFICATION PIPE		pz	3
56	10DEF00008	SQ04-SQ05 AIR DEFLECTOR		pz	1
59	60VENAI013	FAN 200X61 AIRTEK 2.0		pz	3
60	10PIAA10LAA009	PLATE FOR MOTOR		pz	3
61	040BOC00006	CRANKSHAFT BUSH		pz	3
62	20RES00041	HEATER 5KW 230V 6 COILS		pz	3
67	85PIA00003	PLATE		pz	1
68	020LAM0004	HALOGEN LAMP HOLDER		pz	2
80	TBC-MOT	MOTOR	To order share s/n	pz	3
108	040RAC00001	PLASTIC JUNCTION		pz	3
317	30TBA00010	TUBE		pz	1
507	70VIT00067	SCREW M6X12 REDUCED CIL. HEAD SS		pz	2

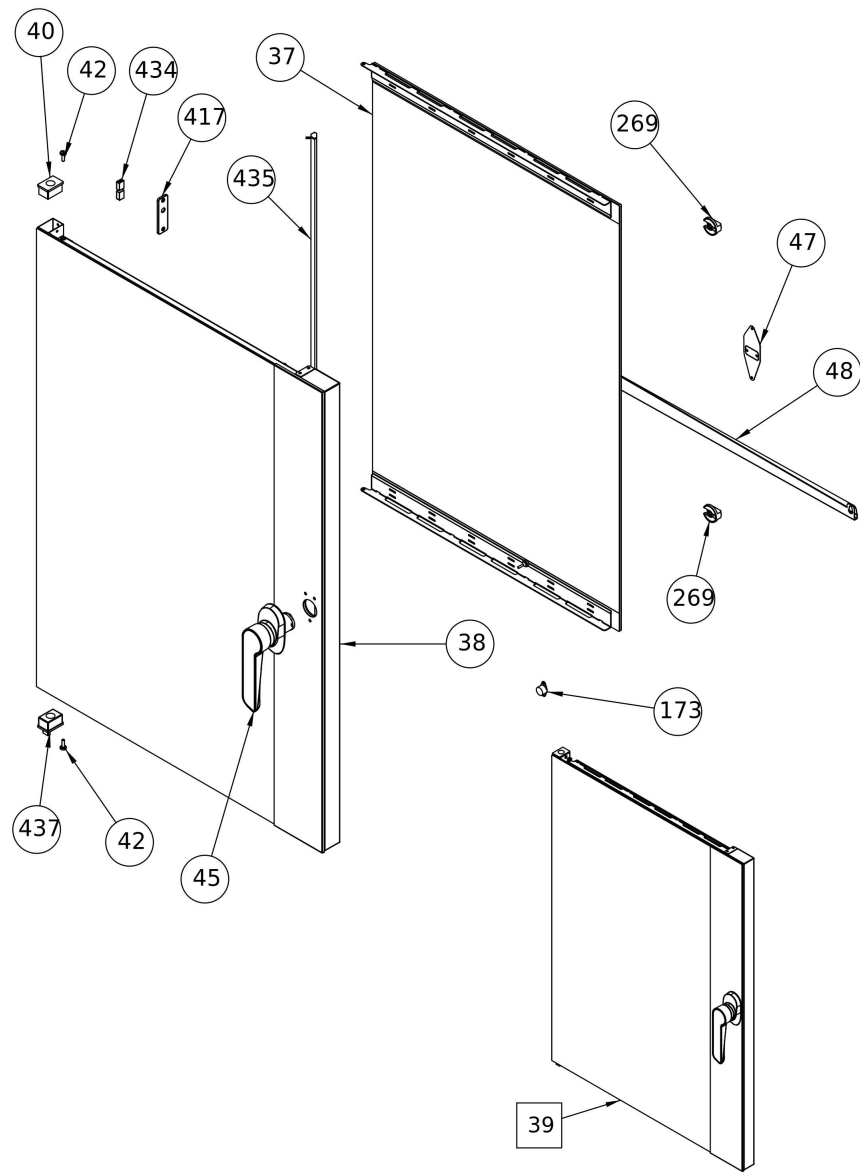


#	Code	Description	Specification	UM	Qty
74	020SON0002	PROBE TCJ FLANGED		pz	1
78	020PUL0002	MICRO SWITCH		pz	1
124	040GUA00007	CHAMBER PROBE FLANGE GASKET		pz	1
418	40DIS00013	DOOR MICROSWITCH PLASTIC PLATE		pz	1
443	TBD-GRI	TRAYS HOLDER		pz	2



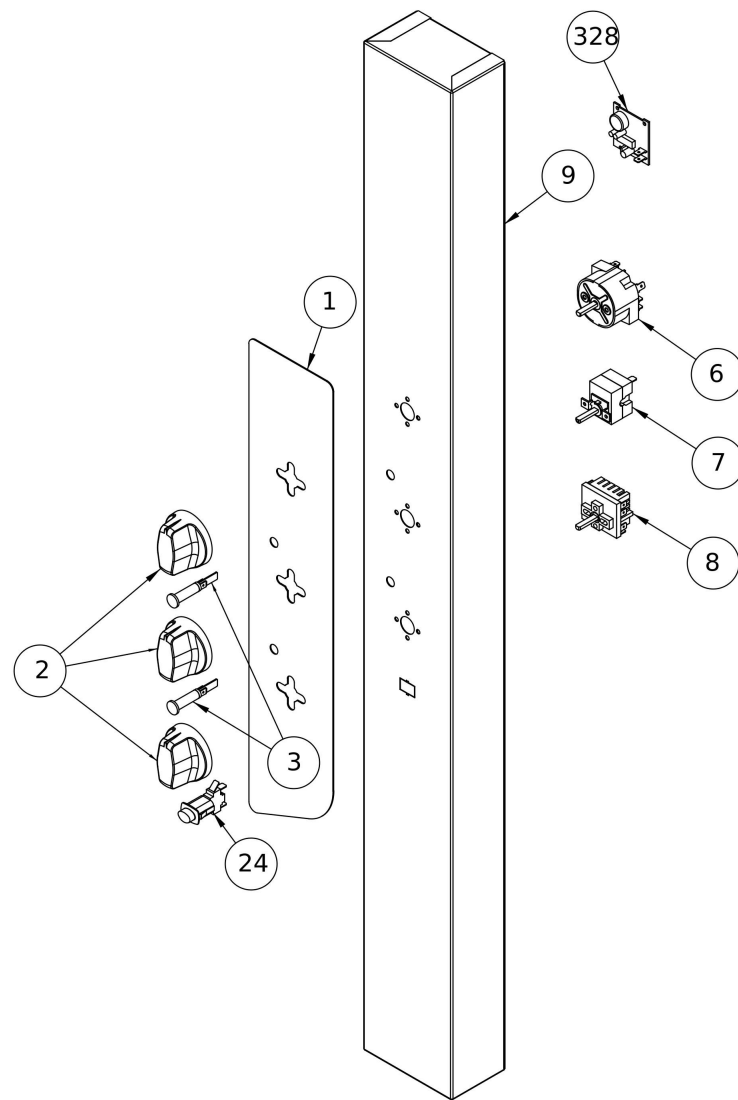
Door

#	Code	Description	Specification	UM	Qty
37	85AVI00003	COMPLETE INTERNAL GLASS DOOR FOR OVEN		pz	1
38	TBC-85AVE00007*	EXTERNAL GLASS	To order share s/n	pz	1
39	TBC-85PTA00057*	COMPLETE DOOR	To order share s/n	pz	1
40	040TAP00001	BLACK CAP		pz	1
41	040TAP00002	BLACK CAP		pz	2
42	70VIT029	M5 SCREW FOR BOND ROTATION		pz	2
45	60MAGTR003	MANIG. 6302-020072VX VENIX SX		pz	1
47	10PIAA10SAA012	HANDLE PLATE		pz	1
48	10VAS006	WATER S.STEEL CONTAINER		pz	1
173	60MGNSN002	DOOR SENSOR MAGNET		pz	1
269	040MAN00010	INTERNAL GLASS BLOCKING KNOB		pz	2
417	40DIS00014	MAGNETIC SENSOR PLATE RAL7016		pz	1
434	20MOR00010	MAIN TERMINAL BLOCK KLEMSAN		pz	2
435	020LED0003	LAM LED PT 10T CR880P4 L=900MM		pz	1
437	040TAP00025	PLASTIC COVER OVEN DOOR		pz	1



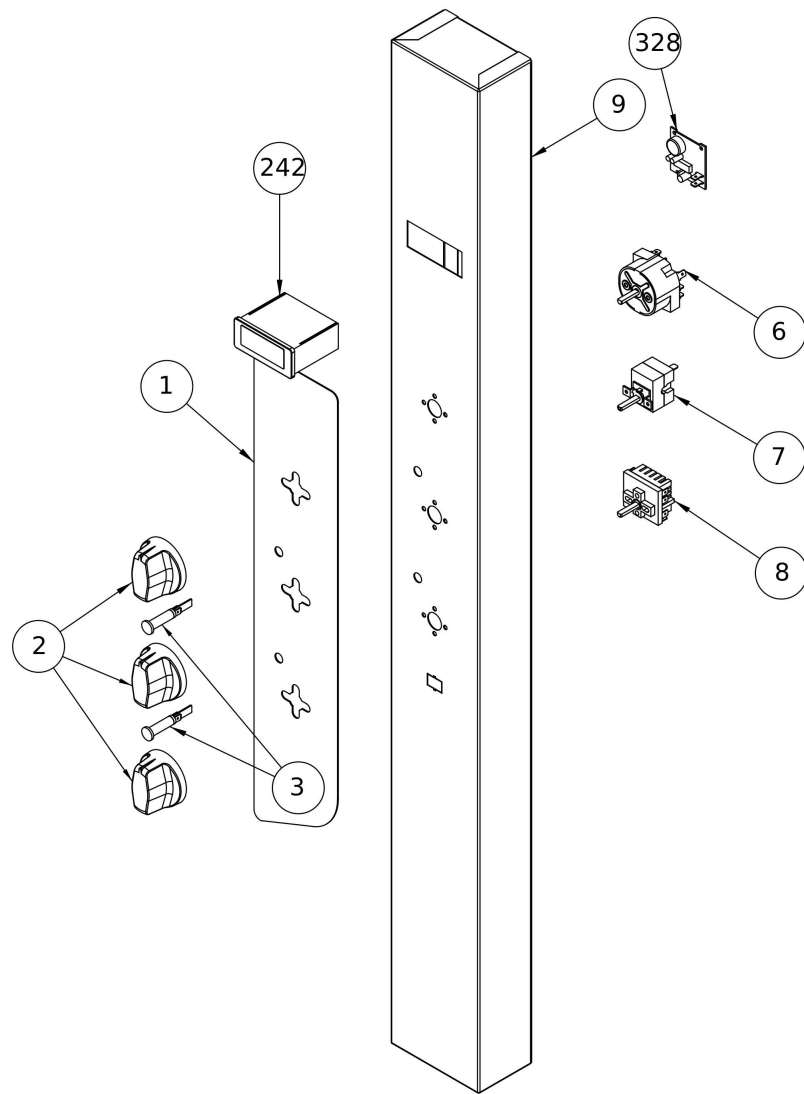
All glass door

#	Code	Description	Specification	UM	Qty
37	85AVI00003	COMPLETE INTERNAL GLASS DOOR FOR OVEN		pz	1
38	TBC-85AVE00009*	COMPLETE EXTERNAL GLASS SQ10-SQ12	To order share s/n	pz	1
39	TBC-85PTA00060*	DOOR SQ10-12	To order share s/n	pz	1
40	040TAP00001	BLACK CAP		pz	1
42	70VIT029	M5 SCREW FOR BOND ROTATION		pz	2
44	040TAP00015	RUBBER SPACER FOR INTERNAL GLASS		pz	17
45	60MAG00013	HANDLE		pz	1
47	10PIAA10SAA012	HANDLE PLATE		pz	1
48	10VAS006	WATER S.STEEL CONTAINER		pz	1
173	60MGNSN002	DOOR SENSOR MAGNET		pz	1
269	040MAN00010	INTERNAL GLASS BLOCKING KNOB		pz	2
417	40DIS00014	MAGNETIC SENSOR PLATE RAL7016		pz	1
434	20MOR00010	MAIN TERMINAL BLOCK KLEMSAN		pz	2
435	020LED0003	LAM LED PT 10T CR880OP4 L=900MM		pz	1
437	040TAP00025	PLASTIC COVER OVEN DOOR		pz	1
542	70VIT048	SCREW M5X20 SH PH SS		pz	2
544	040PPC00008	WIRING PLASTIC CONNECTOR		pz	1
594	70VIT038	SCREW M5X14 RH PH NP		pz	3



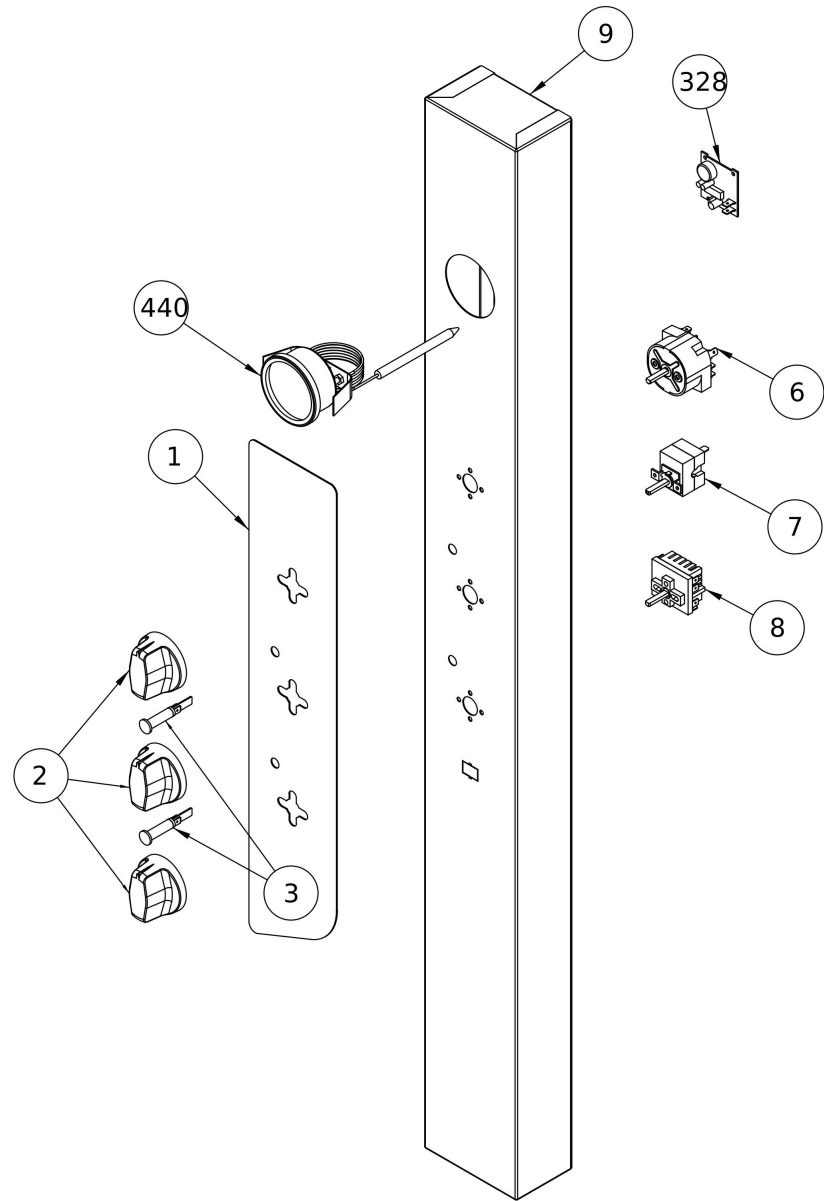
Frontal panel M0 - MV

#	Code	Description	Specification	UM	Qty
1	TBC-FRO*	FRONTAL STICKER	To order share s/n	pz	1
2	TBC-MAN	KNOB	To order share s/n	pz	3
3	020LSP0004	ORANGE LIGHT		pz	2
6	TBC-TMR	TIMER	To order share s/n	pz	1
7	020TER0001	CHAMBER THERMOSTAT		pz	1
8	020RDE0001	HUMIDIFICATION TIMED SWITCH		pz	1
9	TBC-CRU	OVEN FRONTAL PANEL	To order share s/n	pz	1
24	020DEV0001	2 SPEED ELECTRIC DIVERTER		pz	1
328	020SCH0016	BUZZER ELECTRONIC BOARD		pz	1



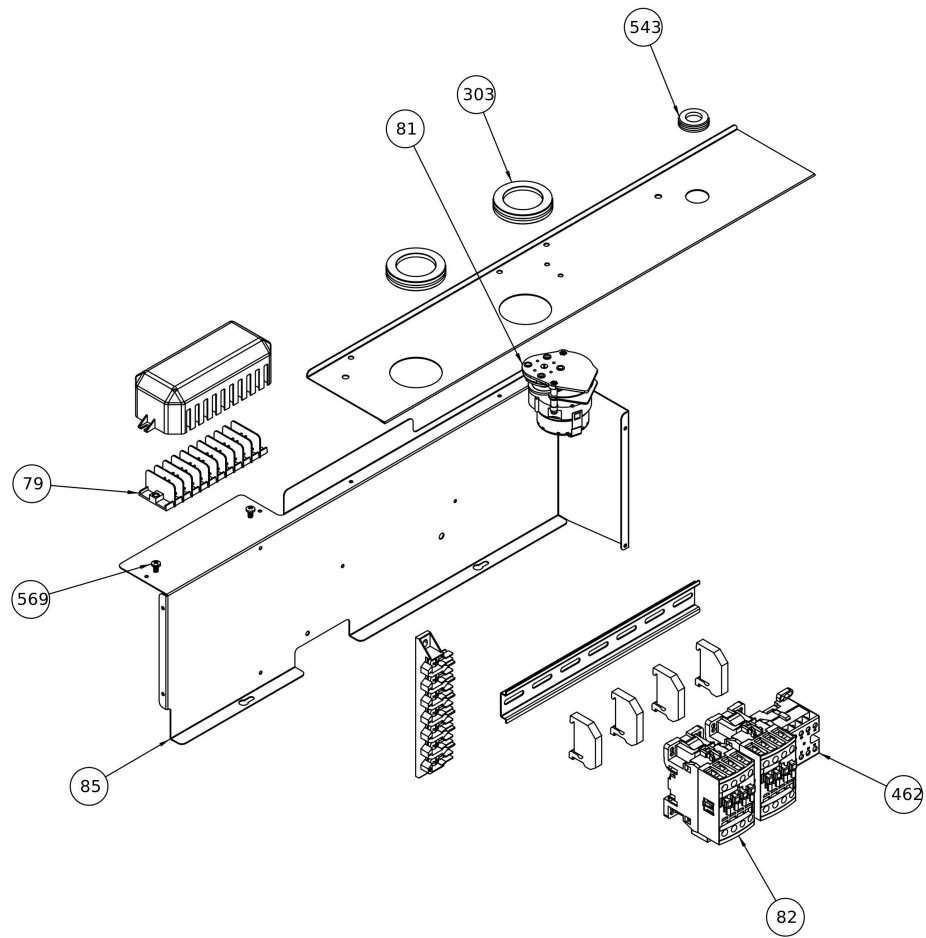
Frontal panel MZ

#	Code	Description	Specification	UM	Qty
1	TBC-FRO*	FRONTAL STICKER	To order share s/n	pz	1
2	TBC-MAN	KNOB	To order share s/n	pz	3
3	020LSP0004	ORANGE LIGHT		pz	2
6	TBC-TMR	TIMER	To order share s/n	pz	1
7	020TER0001	CHAMBER THERMOSTAT		pz	1
8	020RDE0001	HUMIDIFICATION TIMED SWITCH		pz	1
9	TBC-CRU	OVEN FRONTAL PANEL	To order share s/n	pz	1
242	20SCH00051	TEMPERATURE DISPLAY		pz	1
328	020SCH0016	BUZZER ELECTRONIC BOARD		pz	1

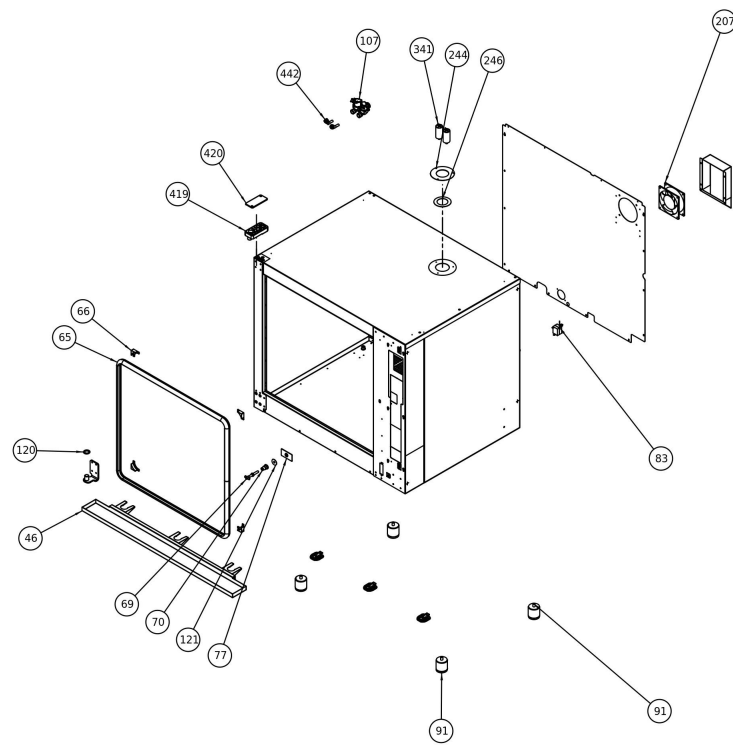


Frontal panel MA

#	Code	Description	Specification	UM	Qty
1	TBC-FRO*	FRONTAL STICKER	To order share s/n	pz	1
2	TBC-MAN	KNOB	To order share s/n	pz	1
3	020LSP0004	ORANGE LIGHT		pz	1
6	TBC-TMR	TIMER	To order share s/n	pz	1
7	020TER0001	CHAMBER THERMOSTAT		pz	1
8	020RDE0001	HUMIDIFICATION TIMED SWITCH		pz	1
9	TBC-CRU	OVEN FRONTAL PANEL	To order share s/n	pz	1
328	020SCH0016	BUZZER ELECTRONIC BOARD		pz	1
440	020TER0010	MECHANICAL THERMO GAUGE	PZ	pz	1

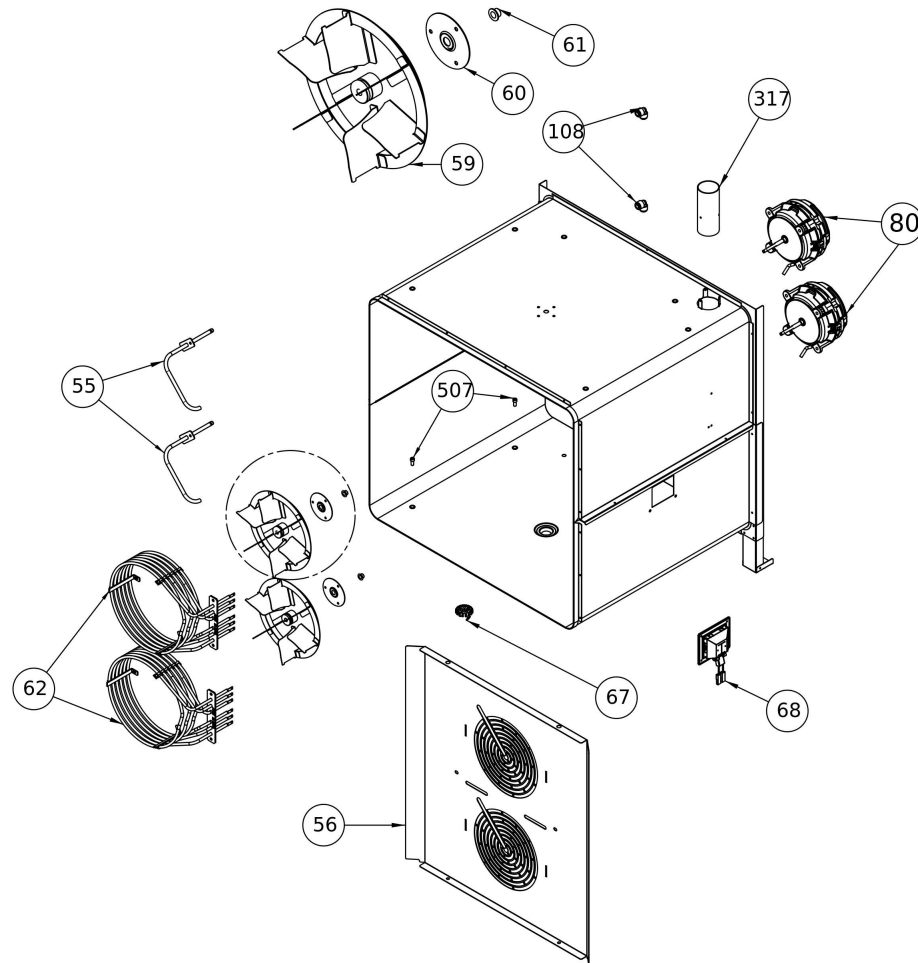


#	Code	Description	Specification	UM	Qty
79	020MOR0002	TERMINAL BLOCK 7(X3) POLES 40A		pz	1
81	020PRC0001	MOTOR DIRECTION TIMED SWITCH		pz	1
82	020TEL0003	BRAKER 4POLES 230V 25A (6500W HEATERS)		pz	2
85	10SCB00035	WIRING BASE SQ MECC.		pz	1
303	040PPC00007	WIRING PLASTIC CONNECTOR		pz	2
462	020TEL0004	BRAKER		pz	1
543	040PPC00010	WALL PASSTHROUGH MEMBRANE DIA 21		pz	1
569	70VIT054	SCREW ST 4,2X19 RH PH ZN BLUNT TIP		pz	2



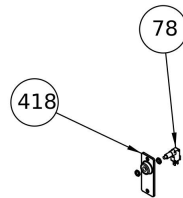
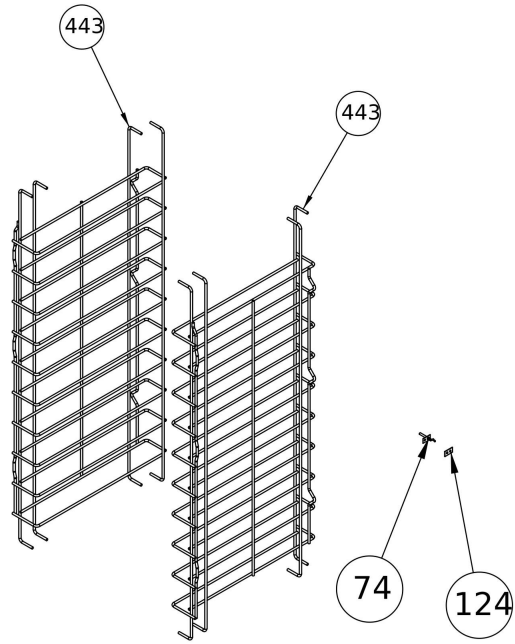
Oven body

#	Code	Description	Specification	UM	Qty
46	85VAS00001	CONDENSATE TRAY		pz	1
65	040GUA00002	DOOR GASKET COMBISTEAMER		cm	260
66	040ANG00002	DOOR GASKET ANGLE SUPPORT		pz	4
69	60NASAI001	HANDLE STUD L70MM		pz	1
70	60PERAI003	HANDLE PIVOT RCB-RCG		pz	1
77	85PIA00002	PLATE		pz	1
83	020TER0007	SAFETY THERMAL SWITCH		pz	1
91	50PIEAI002	OVEN FEET H50		pz	4
107	020ELE0002	TWO-WAY SOLENOID VALVE REDUCER BROWN		pz	1
119	85CER00008	BOTTOM HINGE		pz	1
120	10PIAA20NAA010	DOOR SPACER RING		pz	1
121	10PIAA10SAA013	DOOR LOCK PLATE		pz	1
207	020MOT0009	AXIAL MOTOR		pz	1
244	10PIAA10SAA037	PLATE		pz	1
246	040GUA00009	CHIMNEY GASKET		pz	1
341	020CND00001	CAPACITOR 6,3 ?F		pz	2
419	40CER00001	TOP HINGE		pz	1
420	40CER00002	TOP HINGE COVER		pz	1
436	40DIS00011	CONDENSATE TRAY OVEN SIDE SUPPORT		pz	3
442	40RAC00029	90° JOINT W/STRAIGHT PIPE 5/16MM		pz	2

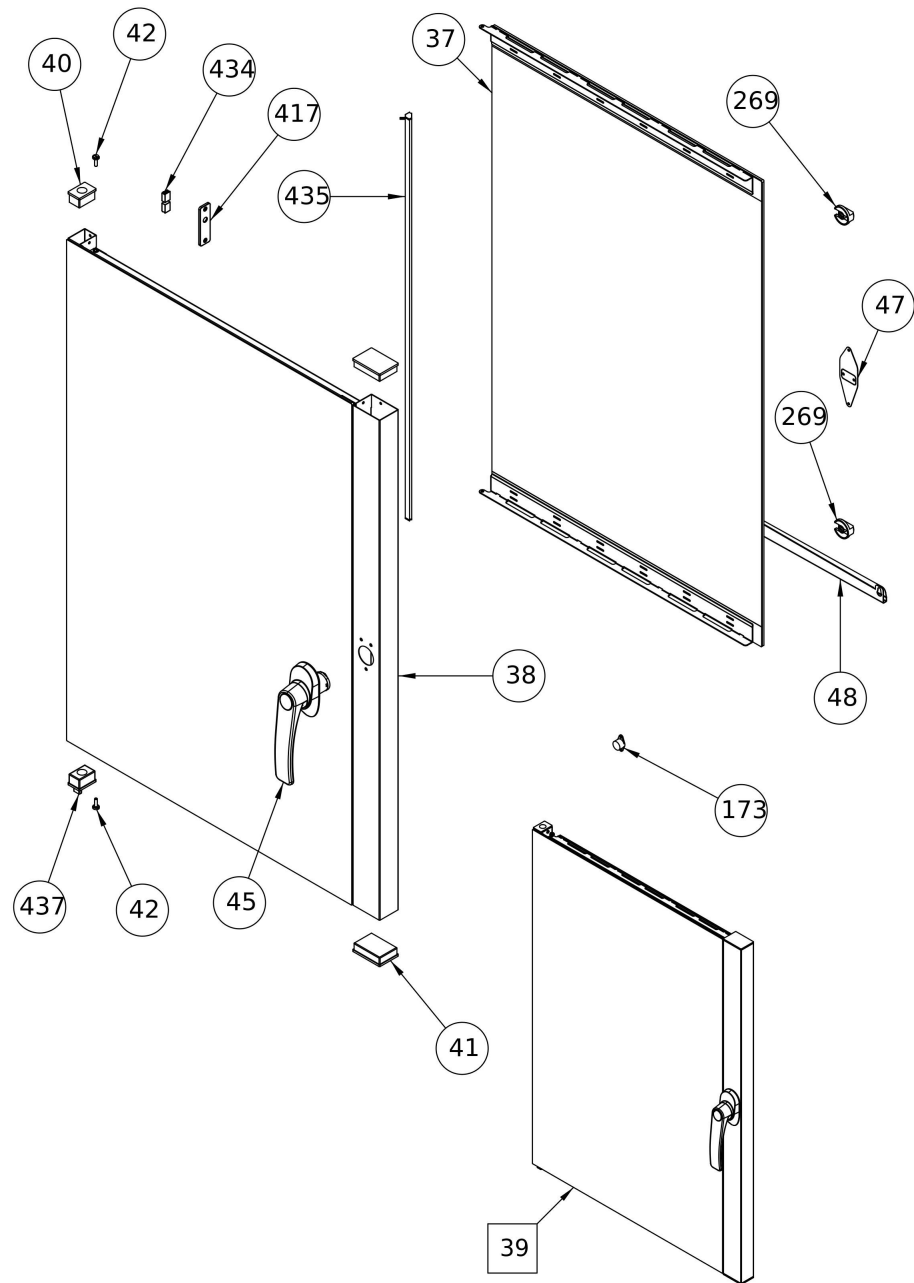


Cooking chamber

#	Code	Description	Specification	UM	Qty
55	85TBA00013	HUMIDIFICATION PIPE		pz	2
56	10DEF00005	AIR DEFLECTOR FOR OVEN L06/G07		pz	1
59	60VENAI013	FAN 200X61 AIRTEK 2.0		pz	2
60	10PIAA10LAA009	PLATE FOR MOTOR		pz	2
61	040BOC00006	CRANKSHAFT BUSH		pz	2
62	020RES50230232613	HEATING ELEMENT 5 KW		pz	2
67	85PIA00003	PLATE		pz	1
68	020LAM0004	HALOGEN LAMP HOLDER		pz	1
80	TBC-MOT	MOTOR	To order share s/n	pz	2
108	040RAC00001	PLASTIC JUNCTION		pz	2
317	30TBA00010	TUBE		pz	1
507	70VIT00067	SCREW M6X12 REDUCED CIL. HEAD SS		pz	2

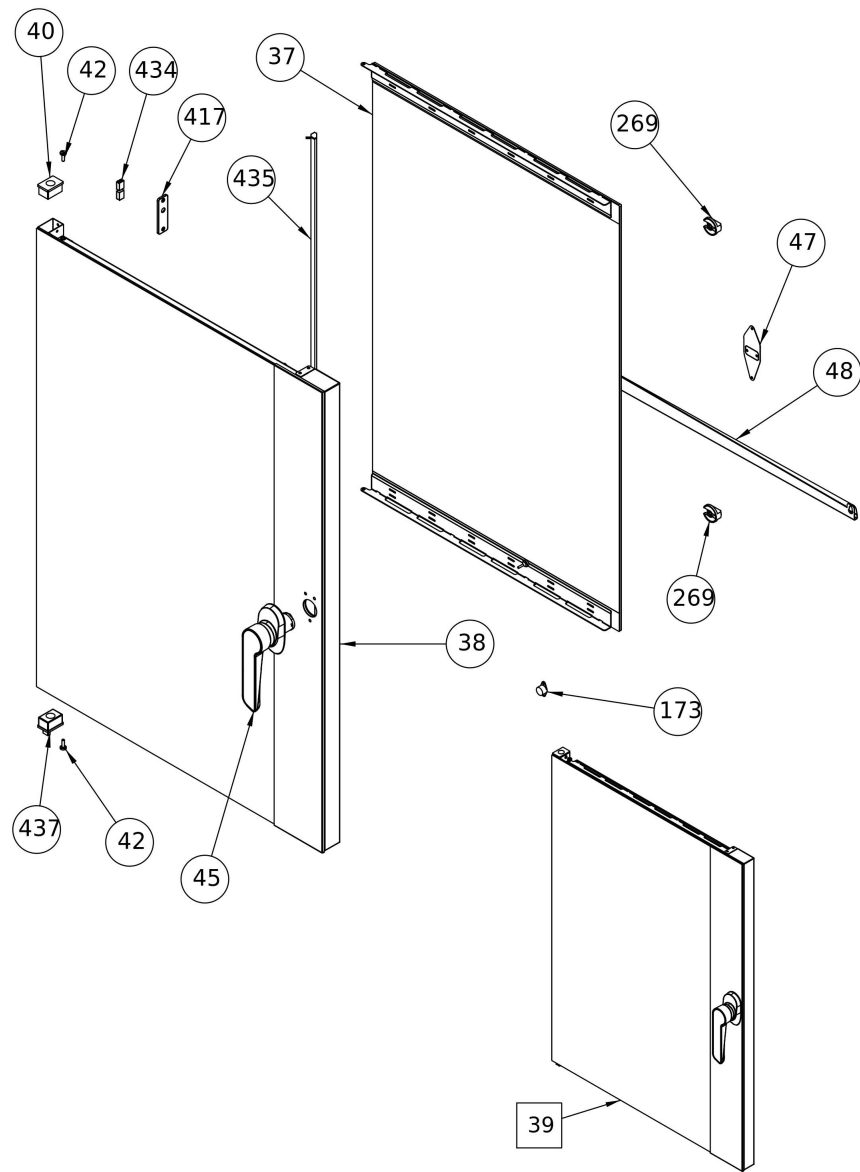


#	Code	Description	Specification	UM	Qty
74	020SON0002	PROBE TCJ FLANGED		pz	1
78	020PUL0002	MICRO SWITCH		pz	1
124	040GUA00007	CHAMBER PROBE FLANGE GASKET		pz	1
418	40DIS00013	DOOR MICROSWITCH PLASTIC PLATE		pz	1
443	TBD-GRI	TRAYS HOLDER		pz	2



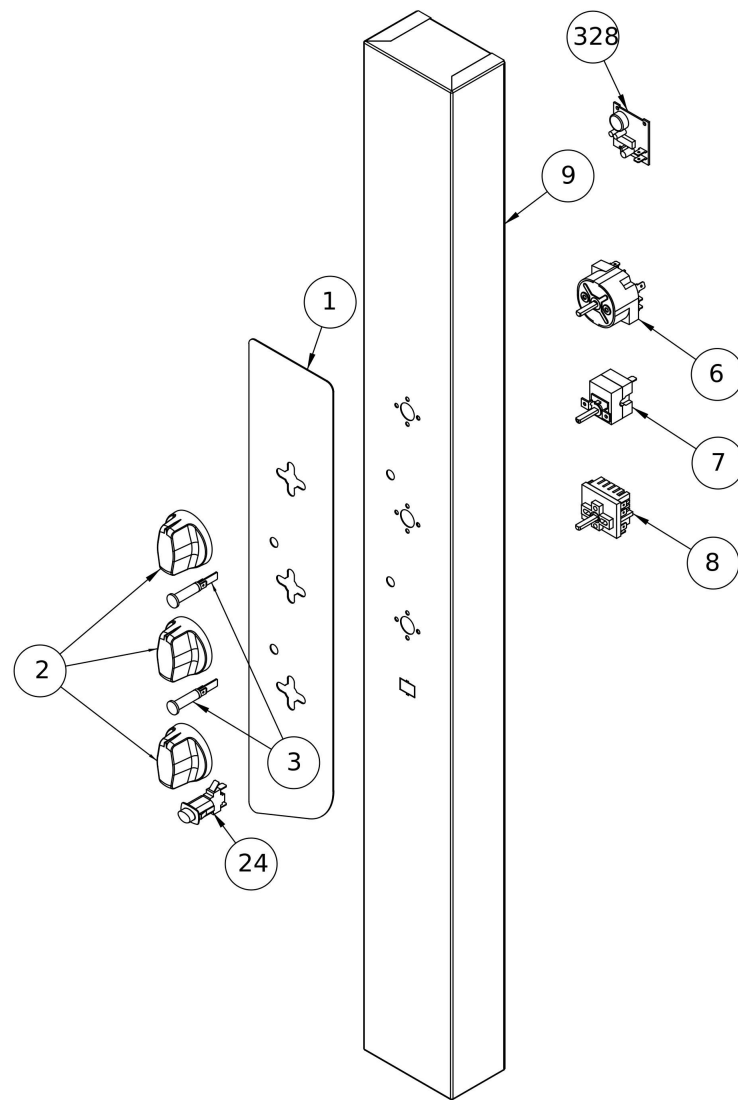
Door

#	Code	Description	Specification	UM	Qty
37	85AVI00002	INTERNAL GLASS ASSY		pz	1
38	TBC-85AVE00001*	EXTERNAL GLASS	To order share s/n	pz	1
39	TBC-85PTA000060*	DOOR SQ10-12	To order share s/n	pz	1
40	040TAP00001	BLACK CAP		pz	1
41	040TAP00002	BLACK CAP		pz	2
42	70VIT029	M5 SCREW FOR BOND ROTATION		pz	2
45	60MAGTR003	MANIG. 6302-020072VX VENIX SX		pz	1
47	10PIAA10SAA012	HANDLE PLATE		pz	1
48	10VAS006	WATER S.STEEL CONTAINER		pz	1
173	60MGNSN002	DOOR SENSOR MAGNET		pz	1
269	040MAN00010	INTERNAL GLASS BLOCKING KNOB		pz	2
417	40DIS00014	MAGNETIC SENSOR PLATE RAL7016		pz	1
434	20MOR00010	MAIN TERMINAL BLOCK KLEMSAN		pz	2
435	020LED0002	LAM LED PT 6T CR530OP4 L=565MM		pz	1
437	040TAP00025	PLASTIC COVER OVEN DOOR		pz	1



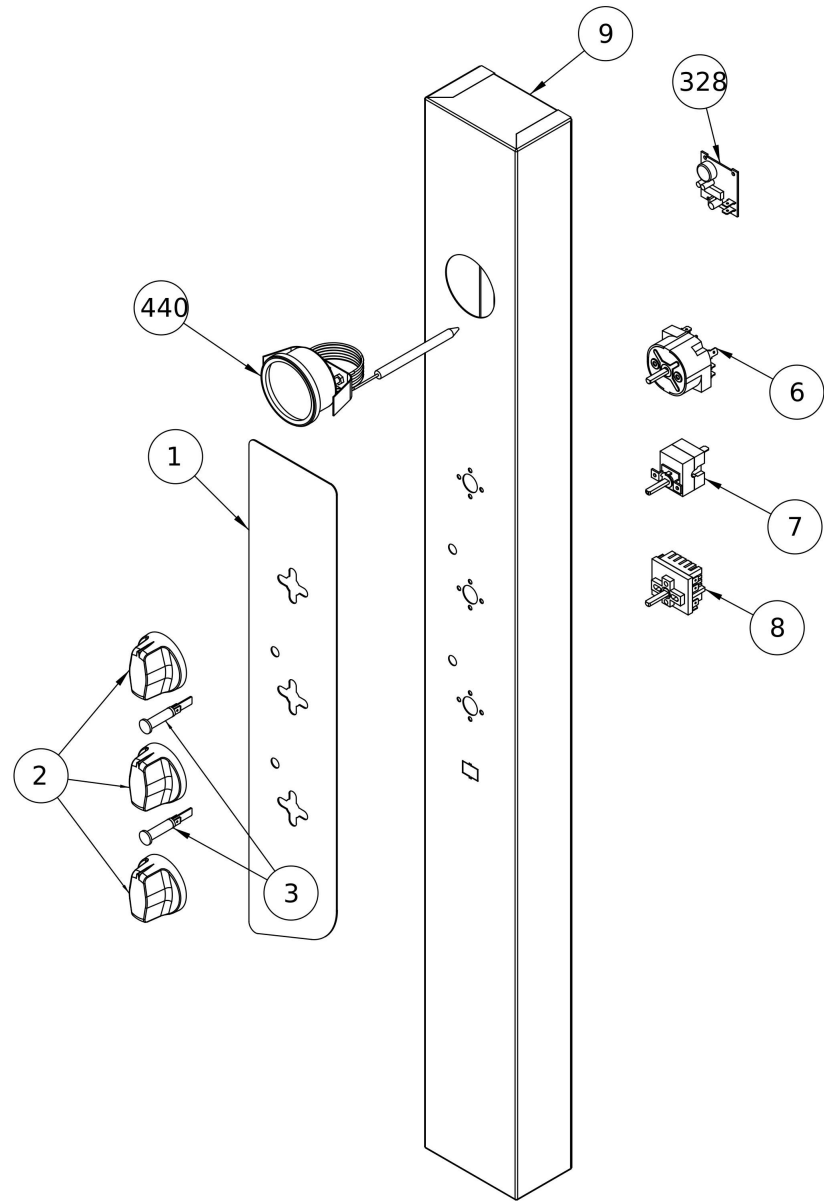
All glass door

#	Code	Description	Specification	UM	Qty
37	85AVI00002	INTERNAL GLASS ASSY		pz	1
38	TBC-85AVE00003*	EXTERNAL GLASS	To order share s/n	pz	1
39	TBC-85PTA00056*	DOOR SQ06-07	To order share s/n	pz	1
40	040TAP00001	BLACK CAP		pz	1
42	70VIT029	M5 SCREW FOR BOND ROTATION		pz	2
44	040TAP00015	RUBBER SPACER FOR INTERNAL GLASS		pz	17
45	60MAG00013	HANDLE		pz	1
47	10PIAA10SAA012	HANDLE PLATE		pz	1
48	10VAS006	WATER S.STEEL CONTAINER		pz	1
173	60MGNSN002	DOOR SENSOR MAGNET		pz	1
269	040MAN00010	INTERNAL GLASS BLOCKING KNOB		pz	2
417	40DIS00014	MAGNETIC SENSOR PLATE RAL7016		pz	1
434	20MOR00010	MAIN TERMINAL BLOCK KLEMSAN		pz	2
435	020LED0002	LAM LED PT 6T CR530OP4 L=565MM		pz	1
437	040TAP00025	PLASTIC COVER OVEN DOOR		pz	1
542	70VIT048	SCREW M5X20 SH PH SS		pz	2
544	040PPC00008	WIRING PLASTIC CONNECTOR		pz	1
594	70VIT038	SCREW M5X14 RH PH NP		pz	3



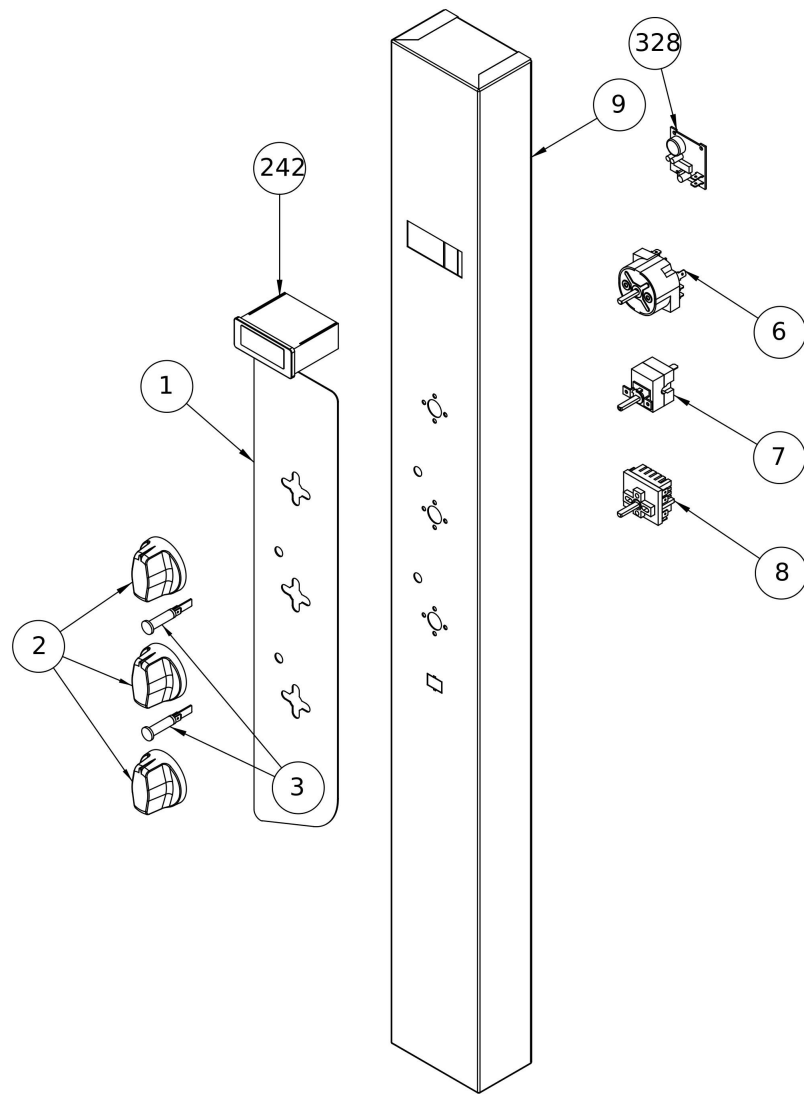
Frontal panel M0 - MV

#	Code	Description	Specification	UM	Qty
1	TBC-FRO*	FRONTAL STICKER	To order share s/n	pz	1
2	TBC-MAN	KNOB	To order share s/n	pz	3
3	020LSP0004	ORANGE LIGHT		pz	2
6	TBC-TMR	TIMER	To order share s/n	pz	1
7	020TER0001	CHAMBER THERMOSTAT		pz	1
8	020RDE0001	HUMIDIFICATION TIMED SWITCH		pz	1
9	TBC-CRU	OVEN FRONTAL PANEL	To order share s/n	pz	1
24	020DEV0001	2 SPEED ELECTRIC DIVERTER		pz	1
328	020SCH0016	BUZZER ELECTRONIC BOARD		pz	1



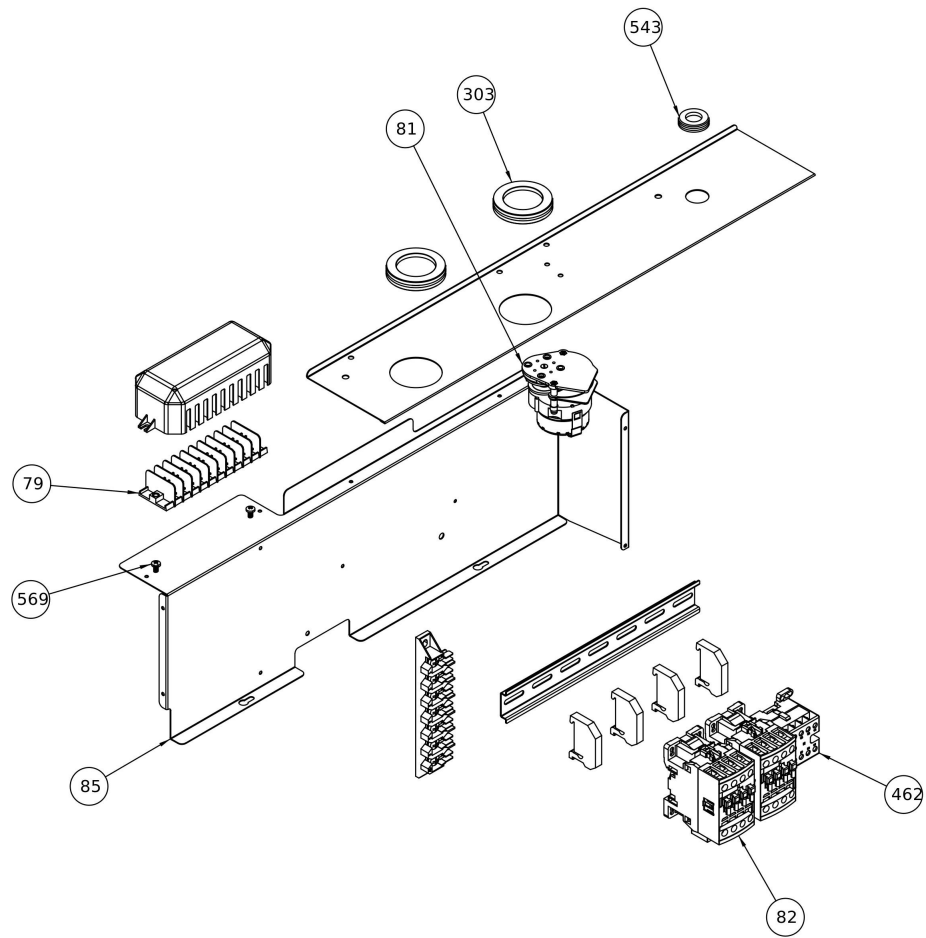
Frontal panel MA

#	Code	Description	Specification	UM	Qty
1	TBC-FRO*	FRONTAL STICKER	To order share s/n	pz	1
2	TBC-MAN	KNOB	To order share s/n	pz	1
3	020LSP0004	ORANGE LIGHT		pz	1
6	TBC-TMR	TIMER	To order share s/n	pz	1
7	020TER0001	CHAMBER THERMOSTAT		pz	1
8	020RDE0001	HUMIDIFICATION TIMED SWITCH		pz	1
9	TBC-CRU	OVEN FRONTAL PANEL	To order share s/n	pz	1
328	020SCH0016	BUZZER ELECTRONIC BOARD		pz	1
440	020TER0010	MECHANICAL THERMO GAUGE	PZ	pz	1

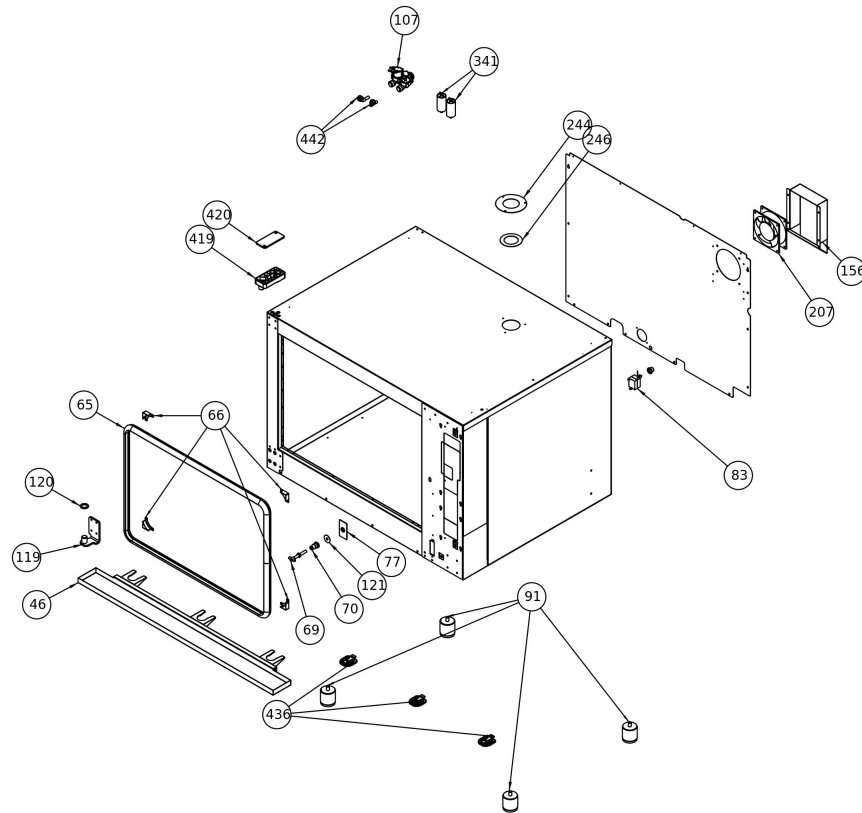


Frontal panel MZ

#	Code	Description	Specification	UM	Qty
1	TBC-FRO*	FRONTAL STICKER	To order share s/n	pz	1
2	TBC-MAN	KNOB	To order share s/n	pz	3
3	020LSP0004	ORANGE LIGHT		pz	2
6	TBC-TMR	TIMER	To order share s/n	pz	1
7	020TER0001	CHAMBER THERMOSTAT		pz	1
8	020RDE0001	HUMIDIFICATION TIMED SWITCH		pz	1
9	TBC-CRU	OVEN FRONTAL PANEL	To order share s/n	pz	1
242	20SCH00051	TEMPERATURE DISPLAY		pz	1
328	020SCH0016	BUZZER ELECTRONIC BOARD		pz	1

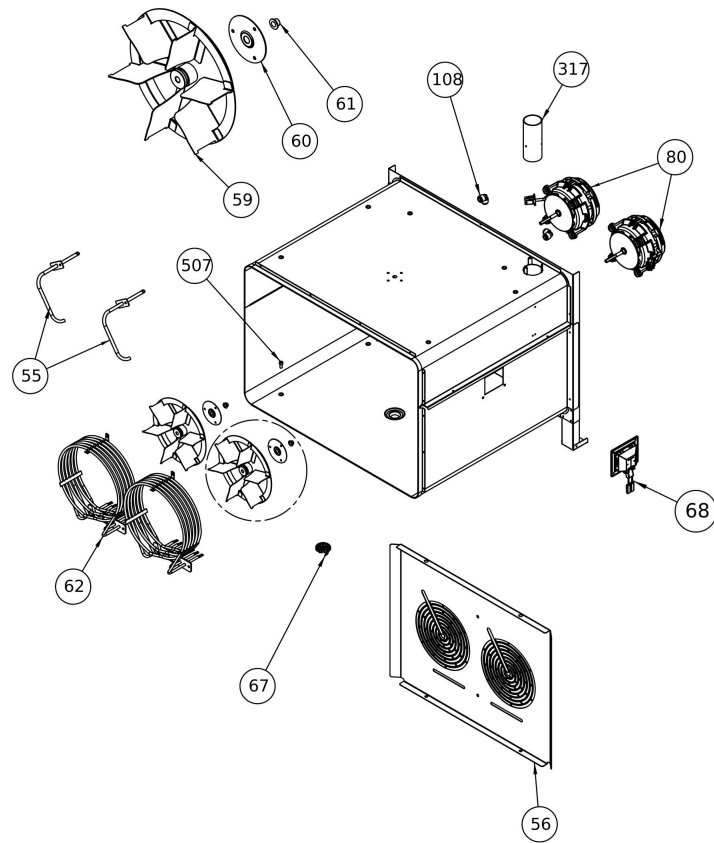


#	Code	Description	Specification	UM	Qty
79	020MOR0002	TERMINAL BLOCK 7(X3) POLES 40A		pz	1
81	020PRC0001	MOTOR DIRECTION TIMED SWITCH		pz	1
82	020TEL0003	BRAKER 4POLES 230V 25A (6500W HEATERS)		pz	2
85	10SCB00035	WIRING BASE SQ MECC.		pz	1
303	040PPC00007	WIRING PLASTIC CONNECTOR		pz	2
462	020TEL0004	BRAKER		pz	1
543	040PPC00010	WALL PASSTHROUGH MEMBRANE DIA 21		pz	1
569	70VIT054	SCREW ST 4,2X19 RH PH ZN BLUNT TIP		pz	2



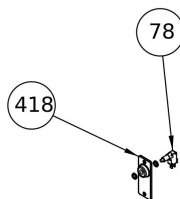
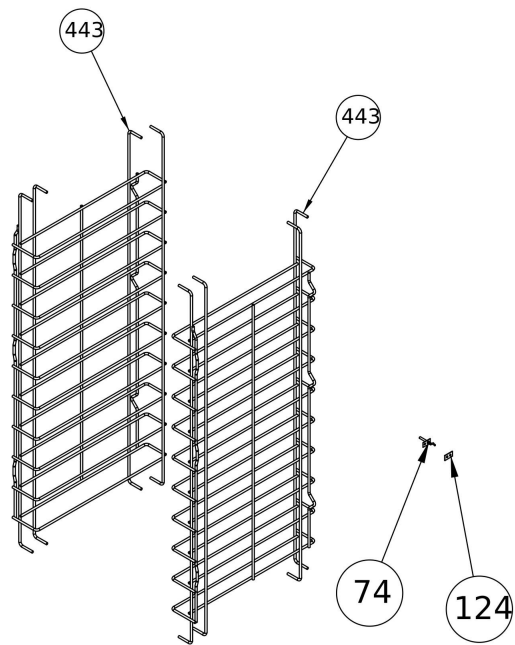
Oven body

#	Code	Description	Specification	UM	Qty
46	85VAS00001	CONDENSATE TRAY		pz	1
65	040GUA00002	DOOR GASKET COMBISTEAMER		cm	230
66	040ANG00002	DOOR GASKET ANGLE SUPPORT		pz	4
69	60NASAI001	HANDLE STUD L70MM		pz	1
70	60PERAI003	HANDLE PIVOT RCB-RCG		pz	1
77	85PIA00002	PLATE		pz	1
83	020TER0007	SAFETY THERMAL SWITCH		pz	1
91	50PIEAI002	OVEN FEET H50		pz	4
107	020ELE0002	TWO-WAY SOLENOID VALVE REDUCER BROWN		pz	1
119	85CER00008	BOTTOM HINGE		pz	1
120	10PIAA20NAA010	DOOR SPACER RING		pz	1
121	10PIAA10SAA013	DOOR LOCK PLATE		pz	1
207	020MOT0009	AXIAL MOTOR		pz	1
244	10PIAA10SAA037	PLATE		pz	1
246	040GUA00009	CHIMNEY GASKET		pz	1
341	TBC-COND	CAPACITOR	To order share s/n	pz	2
419	40CER00001	TOP HINGE		pz	1
420	40CER00002	TOP HINGE COVER		pz	1
436	40DIS00011	CONDENSATE TRAY OVEN SIDE SUPPORT		pz	3
442	40RAC00029	90° JOINT W/STRAIGHT PIPE 5/16MM		pz	2

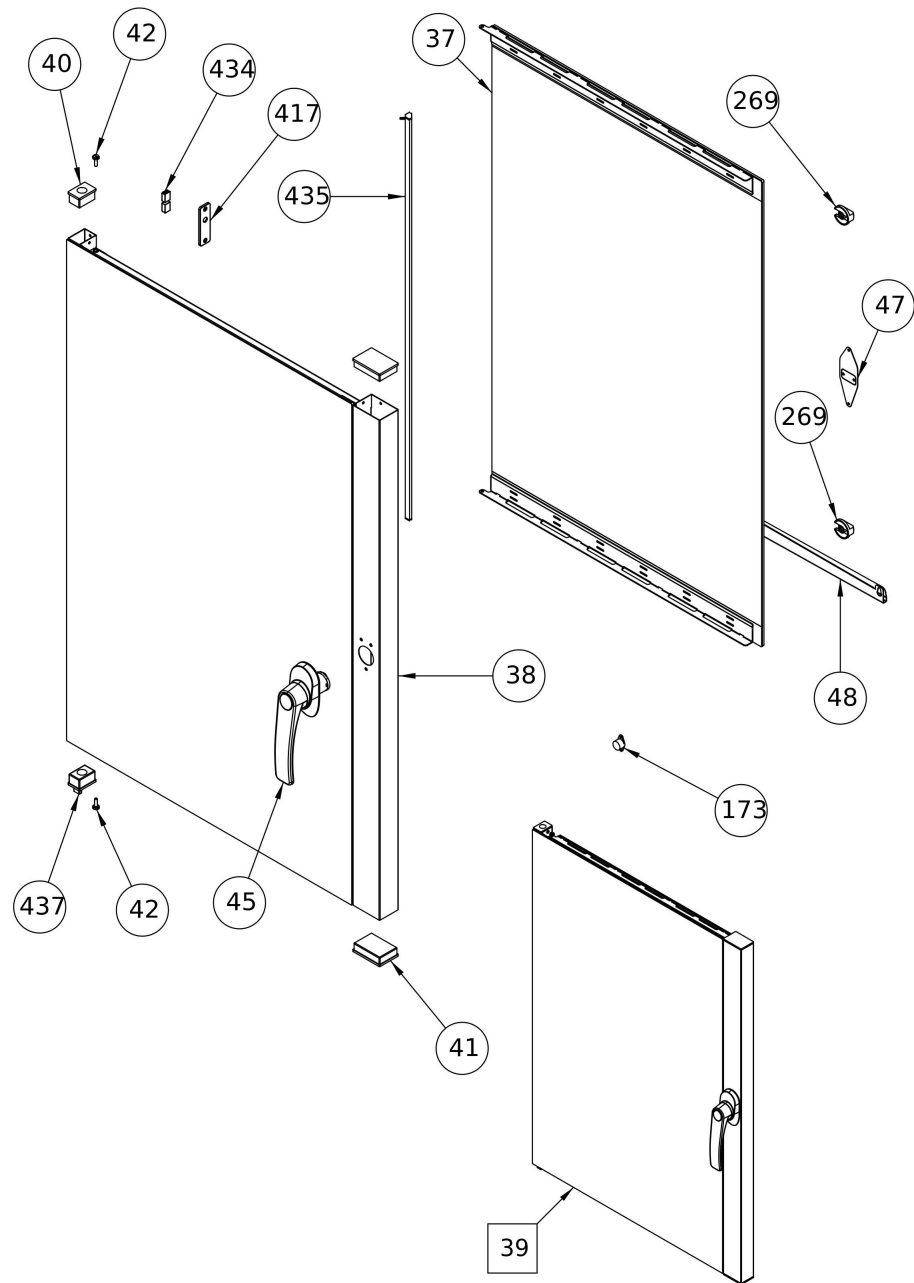


Cooking chamber

#	Code	Description	Specification	UM	Qty
55	85TBA00017	HUMIDIFICATION PIPE		pz	2
56	10DEF00020	SQ04-SQ05 AIR DEFLECTOR		pz	1
59	60VENAI013	FAN 200X61 AIRTEK 2.0		pz	2
60	10PIAA10LAA009	PLATE FOR MOTOR		pz	2
61	040BOC00006	CRANKSHAFT BUSH		pz	2
62	20RES00041	HEATER 5KW 230V 6 COILS		pz	2
67	85PIA00003	PLATE		pz	1
68	020LAM0004	HALOGEN LAMP HOLDER		pz	1
80	TBC-MOT	MOTOR	To order share s/n	pz	2
108	040RAC00001	PLASTIC JUNCTION		pz	2
317	30TBA00010	TUBE		pz	1
507	70VIT00067	SCREW M6X12 REDUCED CIL. HEAD SS		pz	1

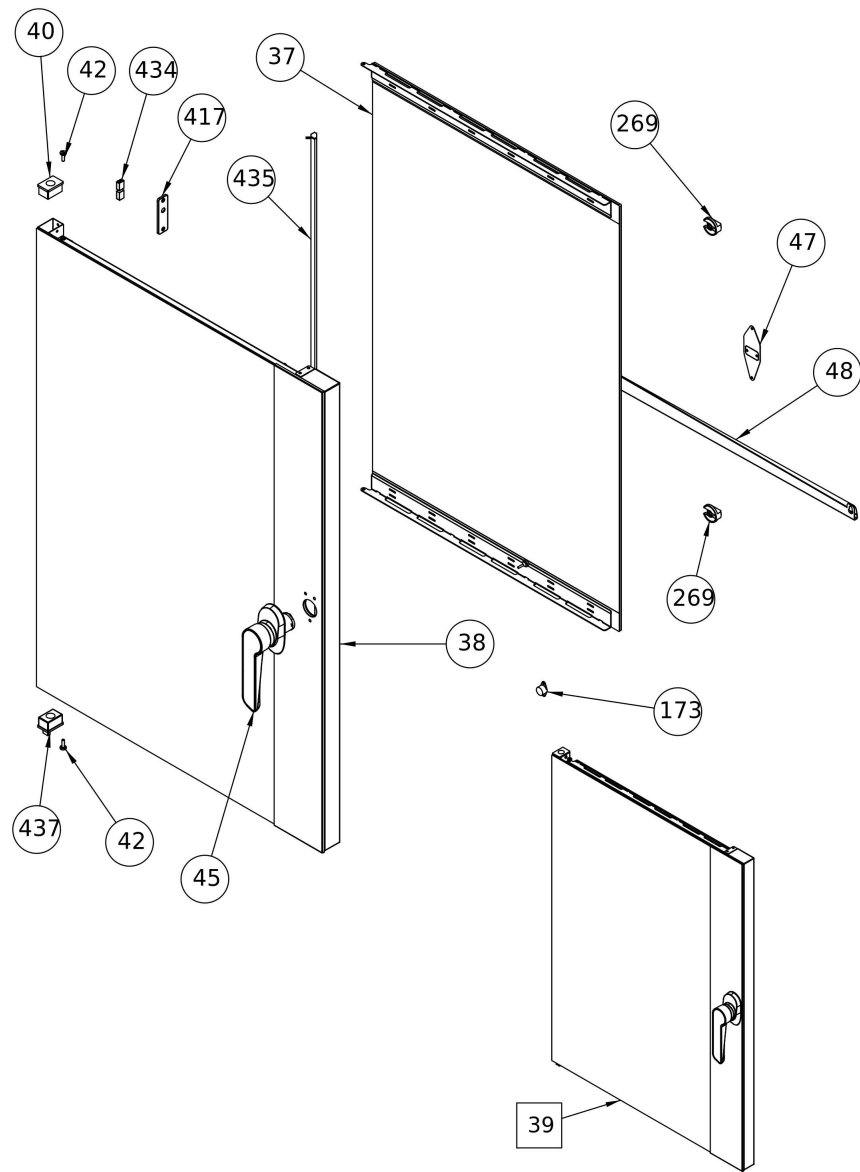


#	Code	Description	Specification	UM	Qty
74	020SON0002	PROBE TCJ FLANGED		pz	1
78	020PUL0002	MICRO SWITCH		pz	1
124	040GUA00007	CHAMBER PROBE FLANGE GASKET		pz	1
418	40DIS00013	DOOR MICROSWITCH PLASTIC PLATE		pz	1
443	TBD-GRI	TRAYS HOLDER		pz	2



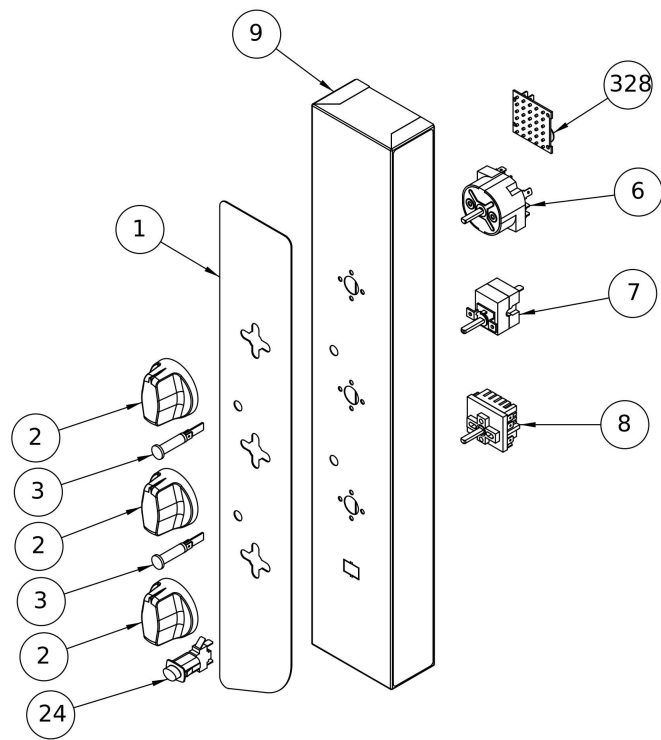
Door

#	Code	Description	Specification	UM	Qty
37	85AVI00001	COMPLETE INTERNAL GLASS DOOR FOR OVEN		pz	1
38	TBC-85AVE00011*	EXTERNAL GLASS	To order share s/n	pz	1
39	TBC-85PTA00062*	COMPLETE DOOR	To order share s/n	pz	1
40	040TAP00001	BLACK CAP		pz	1
41	040TAP00002	BLACK CAP		pz	2
42	70VIT029	M5 SCREW FOR BOND ROTATION		pz	2
45	60MAGTR003	MANIG. 6302-020072VX VENIX SX		pz	1
47	10PIAA10SAA012	HANDLE PLATE		pz	1
48	10VAS006	WATER S.STEEL CONTAINER		pz	1
173	60MGNSN002	DOOR SENSOR MAGNET		pz	1
269	040MAN00010	INTERNAL GLASS BLOCKING KNOB		pz	2
417	40DIS00014	MAGNETIC SENSOR PLATE RAL7016		pz	1
434	20MOR00010	MAIN TERMINAL BLOCK KLEMSAN		pz	2
435	020LED0001	LAM LED PT 4T CR380OP4 L=405MM		pz	1
437	040TAP00025	PLASTIC COVER OVEN DOOR		pz	1



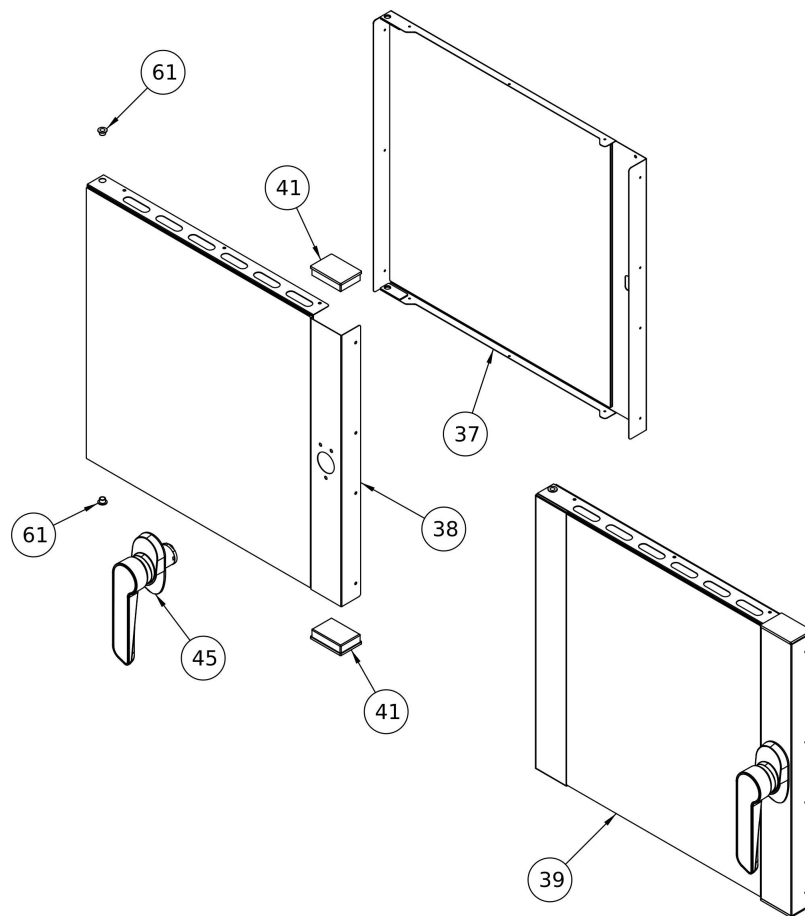
All glass door

#	Code	Description	Specification	UM	Qty
37	85AVI00001	COMPLETE INTERNAL GLASS DOOR FOR OVEN		pz	1
38	TBC-85AVE00013*	EXTERNAL GLASS	To order share s/n	pz	1
39	TBC-85PTA00063*	DOOR SQ04-05	To order share s/n	pz	1
40	040TAP00001	BLACK CAP		pz	1
42	70VIT029	M5 SCREW FOR BOND ROTATION		pz	2
44	040TAP00015	RUBBER SPACER FOR INTERNAL GLASS		pz	17
45	60MAG00013	HANDLE		pz	1
47	10PIAA10SAA012	HANDLE PLATE		pz	1
48	10VAS006	WATER S.STEEL CONTAINER		pz	1
173	60MGNSN002	DOOR SENSOR MAGNET		pz	1
269	040MAN00010	INTERNAL GLASS BLOCKING KNOB		pz	2
417	40DIS00014	MAGNETIC SENSOR PLATE RAL7016		pz	1
434	20MOR00010	MAIN TERMINAL BLOCK KLEMSAN		pz	2
435	020LED0001	LAM LED PT 4T CR380OP4 L=405MM		pz	1
437	040TAP00025	PLASTIC COVER OVEN DOOR		pz	1
542	70VIT048	SCREW M5X20 SH PH SS		pz	2
544	040PPC00008	WIRING PLASTIC CONNECTOR		pz	1
594	70VIT038	SCREW M5X14 RH PH NP		pz	3



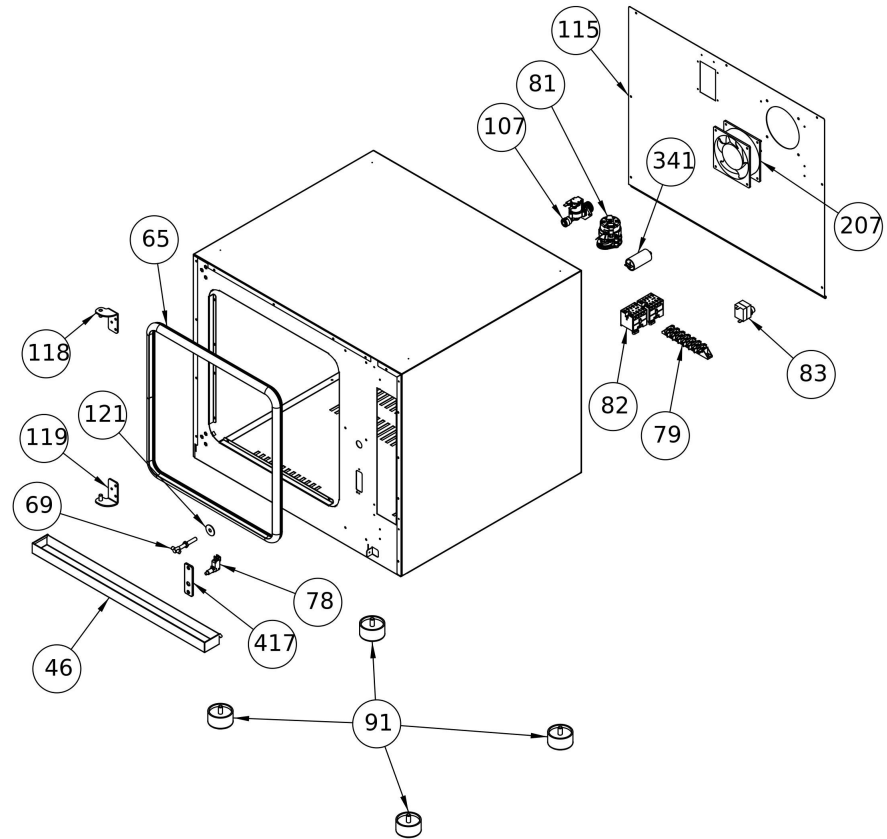
DASHBOARD PANEL

#	Code	Description	Specification	UM	Qty
1	TBC-85FRO00008*	FRONTAL STICKER	To order share s/n	pz	1
2	TBC-MAN	KNOB	To order share s/n	pz	3
3	020LSP0004	ORANGE LIGHT		pz	2
6	020TMR0001	LINEAR TIMER		pz	1
7	020TER0001	CHAMBER THERMOSTAT		pz	1
8	020RDE0001	HUMIDIFICATION TIMED SWITCH		pz	1
9	TBC-CRU	OVEN FRONTAL PANEL	To order share s/n	pz	1
24	020DEV0001	2 SPEED ELECTRIC DIVERTER		pz	1
328	020SCH0016	BUZZER ELECTRONIC BOARD		pz	1



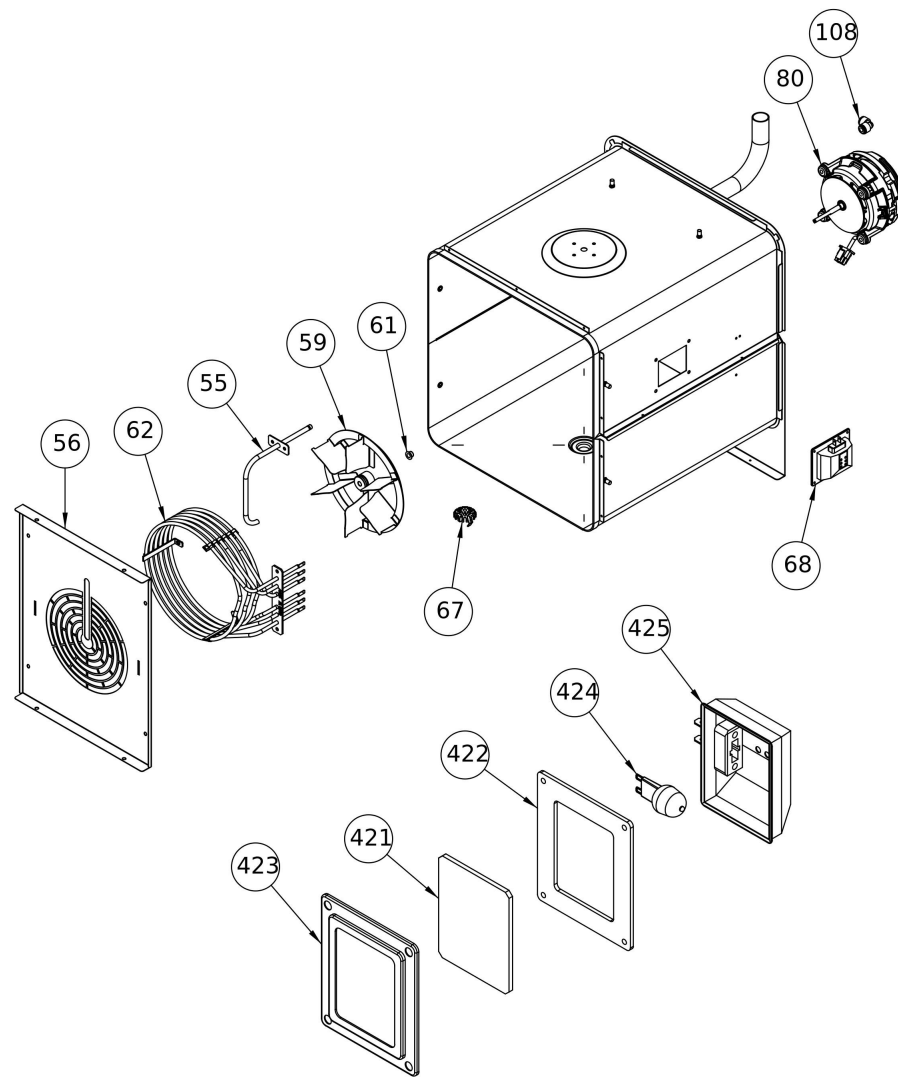
Door

#	Code	Description	Specification	UM	Qty
37	AVIG053.1	COMPLETE INTERNAL GLASS DOOR FOR OVEN		pz	1
38	TBC-85AVE00067*	SQ053 EXTERNAL GLASS	To order share s/n	pz	1
39	TBC-85PTA00099*	SQ053 DOOR	To order share s/n	pz	1
41	040TAP00002	BLACK CAP		pz	2
45	TBC-85MNG00001*	DOOR HANDLE	To order share oven s/...	pz	1
61	040BOC00006	CRANKSHAFT BUSH		pz	4



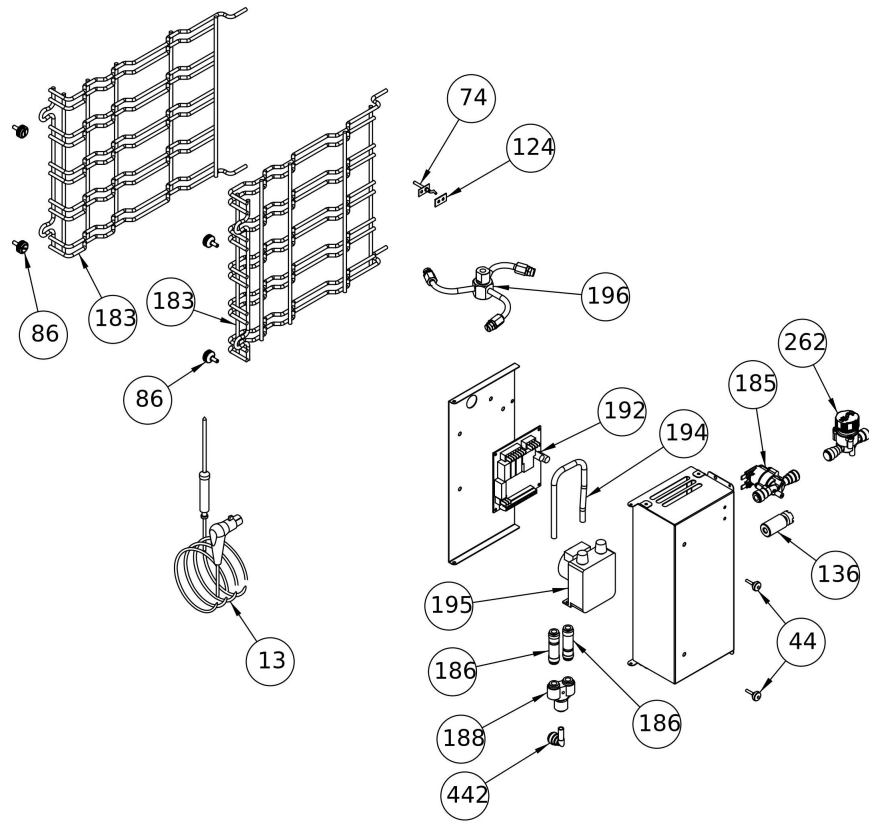
Oven body

#	Code	Description	Specification	UM	Qty
46	10VAS003	WATER S.STEEL CONTAINER		pz	1
65	040GUA00002	DOOR GASKET COMBISTEAMER		cm	180
69	60NASAI001	HANDLE STUD L70MM		pz	1
78	020PUL0002	MICRO SWITCH		pz	1
79	020MOR0002	TERMINAL BLOCK 7(X3) POLES 40A		pz	1
81	020PRC0001	MOTOR DIRECTION TIMED SWITCH		pz	1
82	020TEL0004	BRAKER		pz	2
83	020TER0007	SAFETY THERMAL SWITCH		pz	1
91	50PIEPL001	PLASTIC FEET		pz	4
107	020ELE0001	SINGLE SOLENOID VALVE		pz	1
115	10SCE00019	OVEN BACKSIDE		pz	1
118	85CER00010	TOP HINGE		pz	1
119	85CER00009	LOWER HINGE		pz	1
121	10PIAA10SAA013	DOOR LOCK PLATE		pz	2
207	020MOT0009	AXIAL MOTOR		pz	1
341	TBC-COND	CAPACITOR	To order share s/n	pz	1
417	40DIS00014	MAGNETIC SENSOR PLATE RAL7016		pz	1



Cooking chamber

#	Code	Description	Specification	UM	Qty
55	85TBA00017	HUMIDIFICATION PIPE		pz	1
56	10DEF00016	AIR DEFLECTOR		pz	1
59	60VENAI013	FAN 200X61 AIRTEK 2.0		pz	1
61	040BOC00006	CRANKSHAFT BUSH		pz	1
62	020RES50230232613	HEATING ELEMENT 5 KW		pz	1
67	85PIA00003	PLATE		pz	1
68	020LAM0004	HALOGEN LAMP HOLDER		pz	1
80	TBC-MOT	MOTOR	To order share s/n	pz	1
108	040RAC00001	PLASTIC JUNCTION		pz	1
421	020LAM0004_A	LAMPHOLDER FOR LAM0004		pz	1
422	020LAM0004_B	40W LIGHT BULB		pz	1
423	020LAM0004_C	GLASS FOR LAM0004		pz	1
424	020LAM0004_D	METAL LAMP COVER		pz	1
425	020LAM0004_E	HALOGEN LAMP GASKET		pz	1



#	Code	Description	Specification	UM	Qty
13	020SON0003	CORE PROBE TCJ + PLUG		pz	1
44	040TAP00015	RUBBER SPACER FOR INTERNAL GLASS		pz	2
74	020SON0002	PROBE TCJ FLANGED		pz	1
86	70VIT015_B	SUPPORTS SCREW		pz	4
124	040GUA00007	CHAMBER PROBE FLANGE GASKET		pz	1
136	50FFO0001	WATER FILTER WITH CERAMIC WEIGHT		pz	1
183	TBC-GRI	TRAYS HOLDER	To order share s/n	pz	2
185	020ELE0004	SELF CLEAN SOLENOID VALVE		pz	1
186	040RAC00005	CHECK VALVE IN/OUT JG 8MM 5/16SCV		pz	2
188	040RAC00003	Y JOINT 5/16		pz	1
192	020SCH0007	RCB/RCG ELECTRONIC BOARD		pz	1
194	30TUBP80007	PLASTIC PIPE 8X6		cm	678
195	020PMP0002	DETERGENT PUMP		pz	1
196	60S3	SELF CLEAN ROTOR		pz	1
262	040FIL002	WATER FILTER		pz	1
442	40RAC00029	90° JOINT W/STRAIGHT PIPE 5/16MM		pz	2